



SCSI Hatch  
Reference Document

400095 Rev. F

---

---

## Introduction

This document depicts the SCSI cabling options for all TLS-Series Tape Libraries. The first 4 Chapters describe the internal SCSI cabling options available on the TLS-4000 Series Libraries. One of these options must be specified for each library when it is ordered. A “Bridge Cable” is frequently shown connecting individual SCSI busses together. Where shown, this bridge cable (P/N: 501087-01-9) is included with the indicated option. Use of these bridge cables is optional and depends upon the final system requirements.

The last four Chapters of the document depict the SCSI cabling for the TLS-6000 and TLS-8000 libraries. Aside from choosing between an LVD/SE or HVD interface there are no other cabling options, since each library model number defines its SCSI cabling.

# Table of Contents

<b>1. 42xx Libraries .....</b>	<b>6</b>
TLS-42xx 2X HD68 (1x2) .....	6
TLS-42xx 2X HD68 (1x2) with Adapter .....	7
TLS-42xx 2X HD68 (2x1) .....	8
TLS-42xx 2X HD68 (2x1) with Adapter .....	9
TLS-42xx 2X with FCO .....	10
<b>2. 44xx Libraries .....</b>	<b>11</b>
TLS-44xx 4X HD68 (1x4) .....	11
TLS-44xx 4X HD68 (4x1) .....	12
TLS-44xx 4X HD68 (2x2) .....	13
TLS-44xx 4X HD68 (1x4) with Adapter .....	14
TLS-44xx 4X HD68 (4x1) with Adapter .....	15
TLS-44xx 4X HD68 (2x2) with Adapter .....	16
TLS-44xx 4X with FCO .....	17
<b>3. 46xxx Libraries .....</b>	<b>18</b>
TLS-46xxx 6X HD68 2x3 (1x6) .....	18
TLS-46xxx 6X HD68 (6x1) .....	19
TLS-46xxx 6X HD68 (3x2) .....	20
TLS-46xxx 6X HD68 2x3 (1x6) with Adapter .....	21
TLS-46xxx 6X HD68 (6x1) with Adapter .....	22
TLS-46xxx 6X HD68 (3x2) with Adapter .....	23
TLS-46xxx 6X with FCO .....	24
<b>4. 412xxx Libraries .....</b>	<b>25</b>
TLS-412xxx 4x3 (2x6) 4 Busses, 3 Drives/Bus or 2 Busses, 6 Drives/Bus .....	25
TLS-412xxx (6x2) 6 Busses, 2 Drives/Bus .....	26
TLS-412xxx (12x1) 12 Busses, 1 Drive/Bus .....	27
TLS-412xxx 4x3 (2x6) 4 Busses, 3 Drives/Bus or 2 Busses, 6 Drives/Bus with Adapter .....	28
TLS-412xxx (6x2) 6 Busses, 2 Drives/Bus with Adapter .....	29
TLS-412xxx (12x1) 12 Busses, 1 Drive/Bus with Adapter .....	30
TLS-412xxx 12X with FCO .....	31
<b>5. 61xx / 81xx Libraries .....</b>	<b>32</b>
TLS-61xx/81xx 1X LVD/SE .....	32
TLS-61xx/81xx 1X HVD .....	33
<b>6. 62xx / 82xx Libraries .....</b>	<b>34</b>
TLS-62xx/82xx 2X LVD/SE .....	34
TLS-62xx/82xx 2X HVD .....	35
TLS-62xx/82xx 2X FCO .....	36
<b>7. 64xx / 84xx Libraries .....</b>	<b>37</b>
TLS-64xx/84xx 4X LVD/SE .....	37
TLS-64xx/84xx 4X HVD .....	38
TLS-64xx/84xx 4X FCO .....	39
<b>8. 68xxx / 88xxx Libraries .....</b>	<b>40</b>
TLS-68xxx/88xxx 8X LVD/SE .....	40
TLS-68xxx/88xxx 8X HVD .....	41
TLS-68xxx/88xxx 8X FCO .....	42

Numbers in parenthesis (AxB) indicate the following: A is the number of individual SCSI buses and B is the number of tape drives possible on each bus.

A cross reference of cable part numbers is located on page 5.

---

---

# Cross Reference of Cable Part Numbers

---

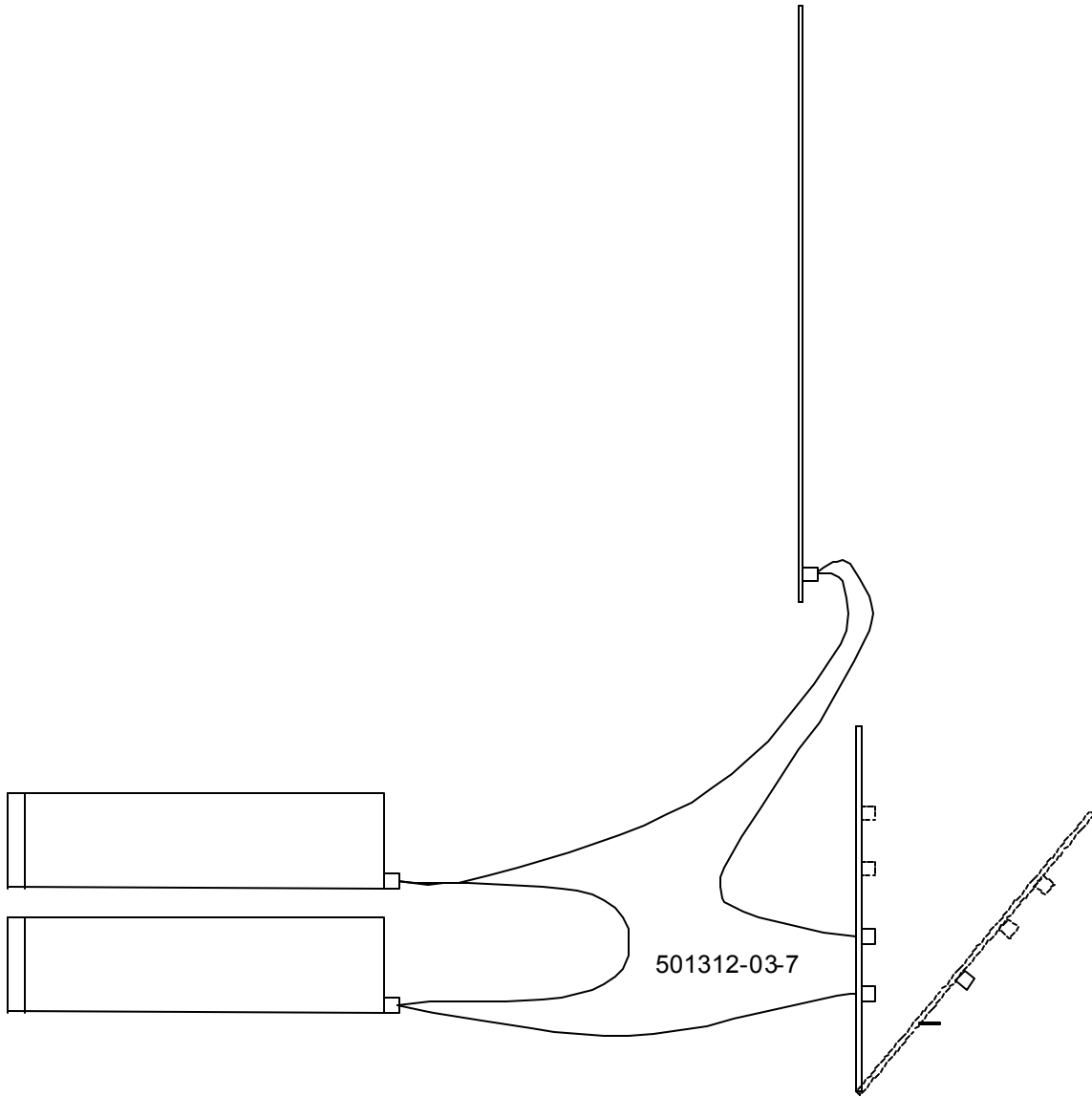
---

500848-15-5.....	25
500848-16-3.....	26
500848-17-1.....	28
500848-18-9.....	29
500848-22-1.....	6
500848-23-9.....	11
500848-24-7.....	13
500848-26-2.....	18
500848-27-0.....	20
500848-28-8.....	7
500848-29-6.....	14
500848-30-4.....	16
500848-32-0.....	21
500848-33-8.....	23
500848-41-1.....	10
500848-42-9.....	17
500848-43-7.....	24
500848-44-5.....	31
500848-45-2.....	36
500848-46-0.....	39
500848-47-8.....	42
500848-48-6.....	8
500848-49-4.....	12
500848-50-2.....	19
500848-51-0.....	27
500848-52-8.....	9
500848-53-6.....	15
500848-54-4.....	22
500848-55-1.....	30

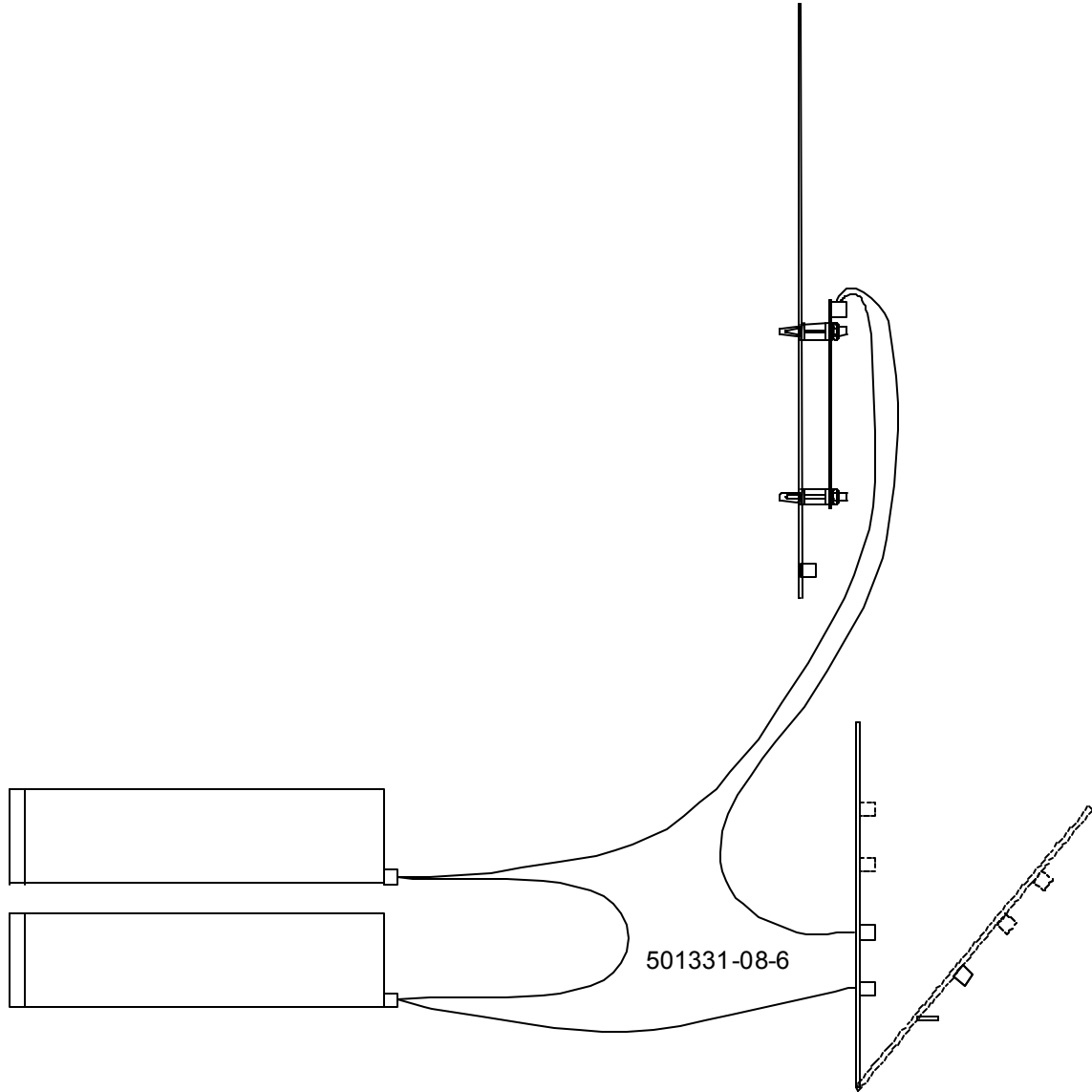
---

---

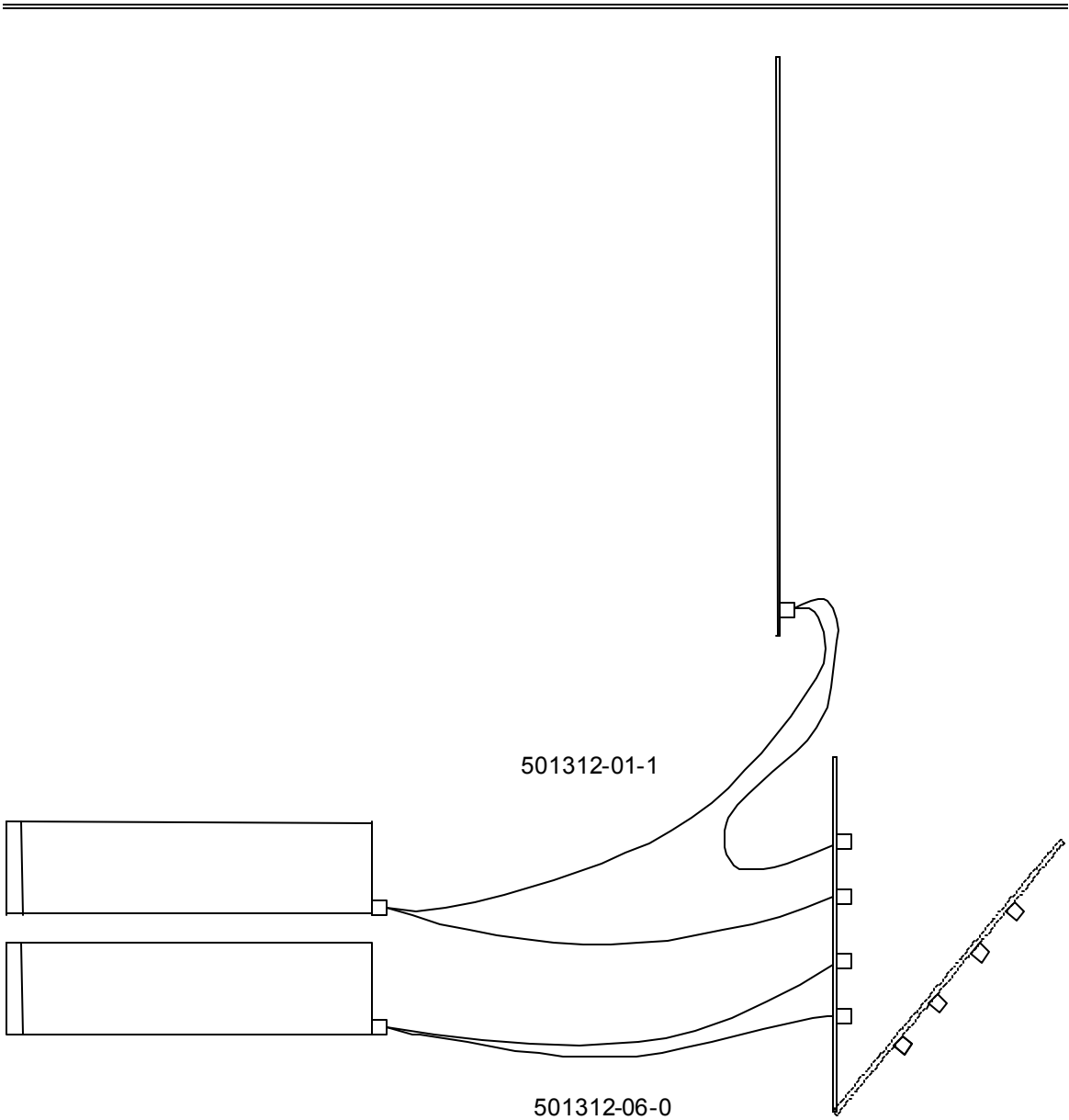
# 1. 42xx Libraries



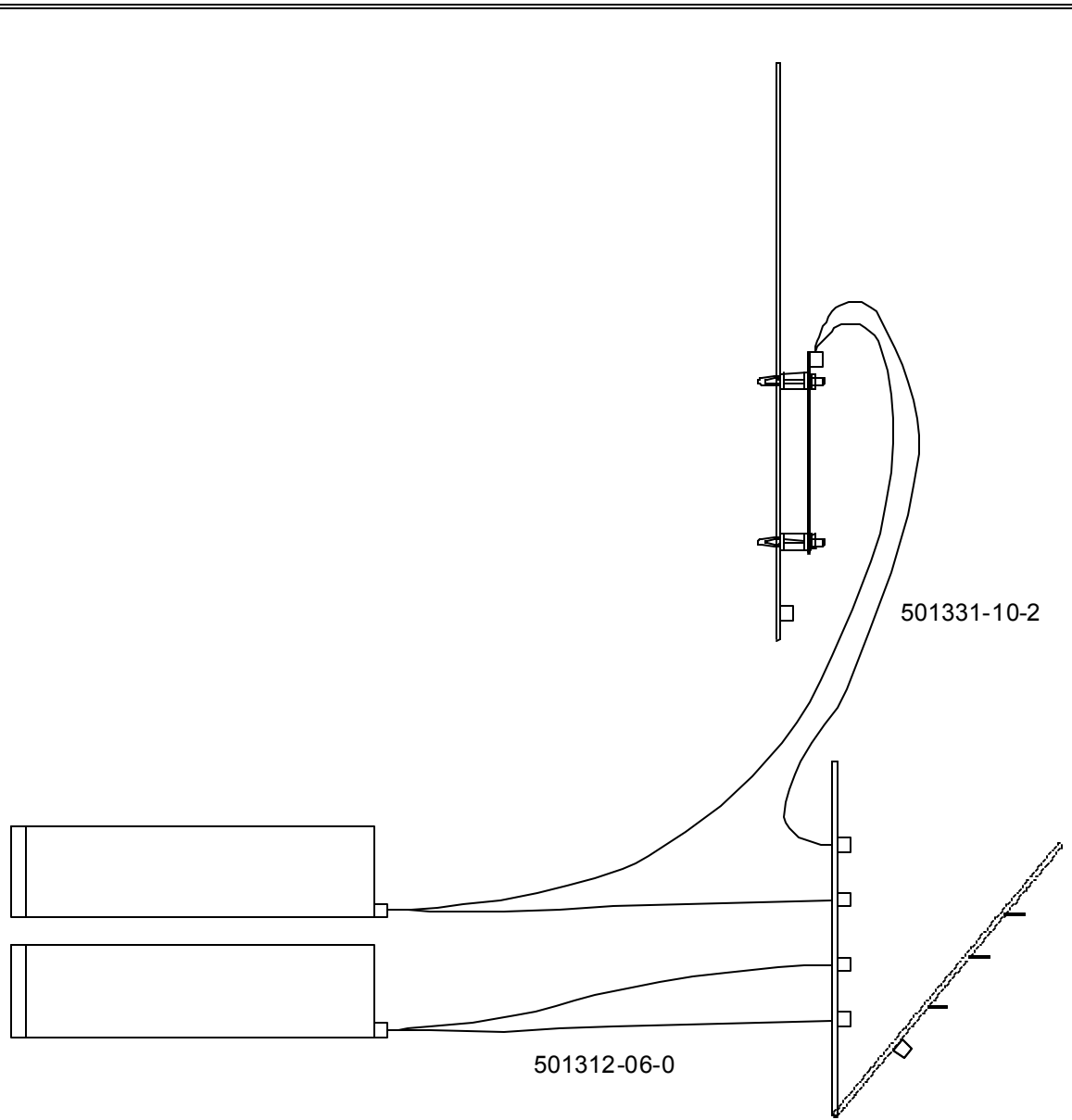
**TLS-42xx**  
**2X HD68 (1x2)**  
**500848-22-1**



**TLS-42xx  
2X HD68 (1x2) with Adapter  
500848-28-8**

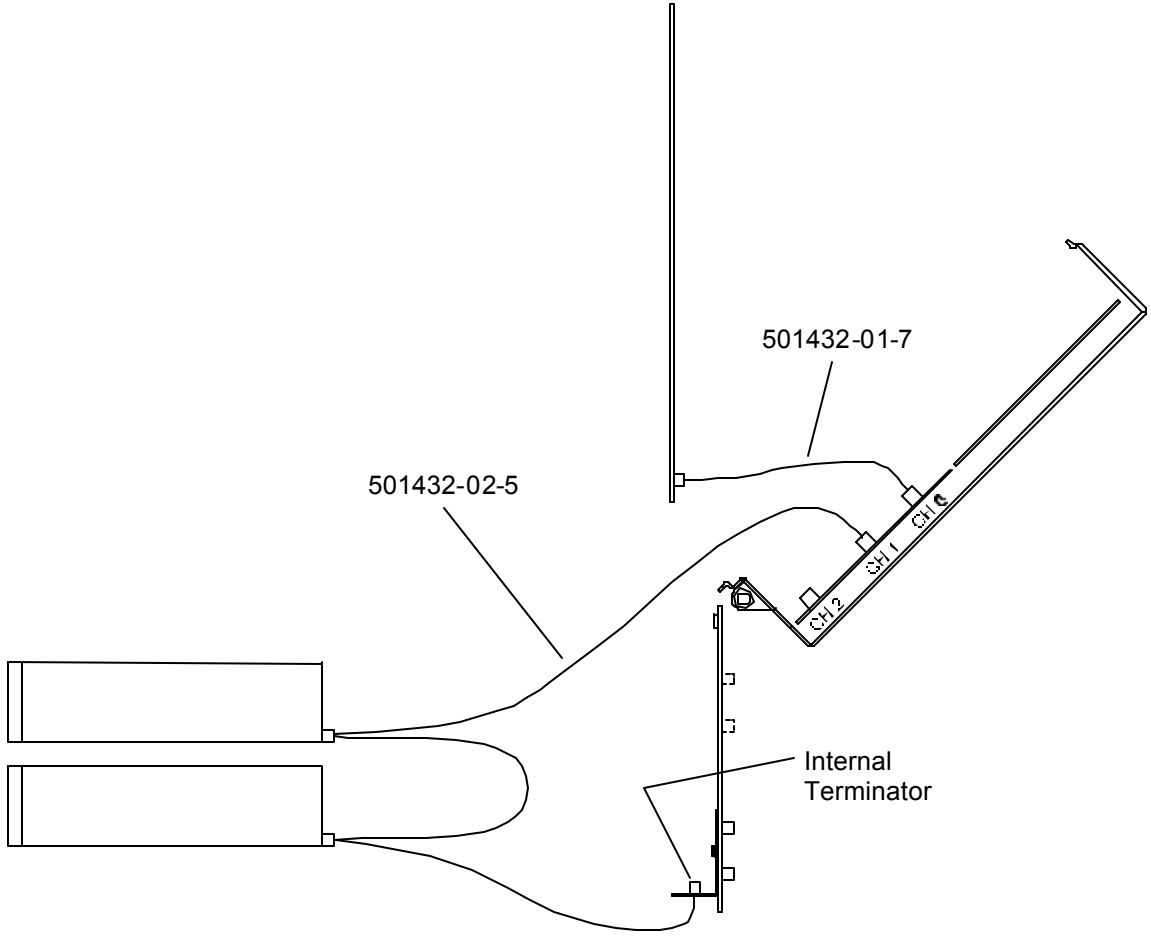


**TLS-42xx**  
**2X HD68 (2x1)**  
**500848-48-6**



**TLS-42xx**  
**2X HD68 (2x1) with Adapter**  
**500848-52-8**



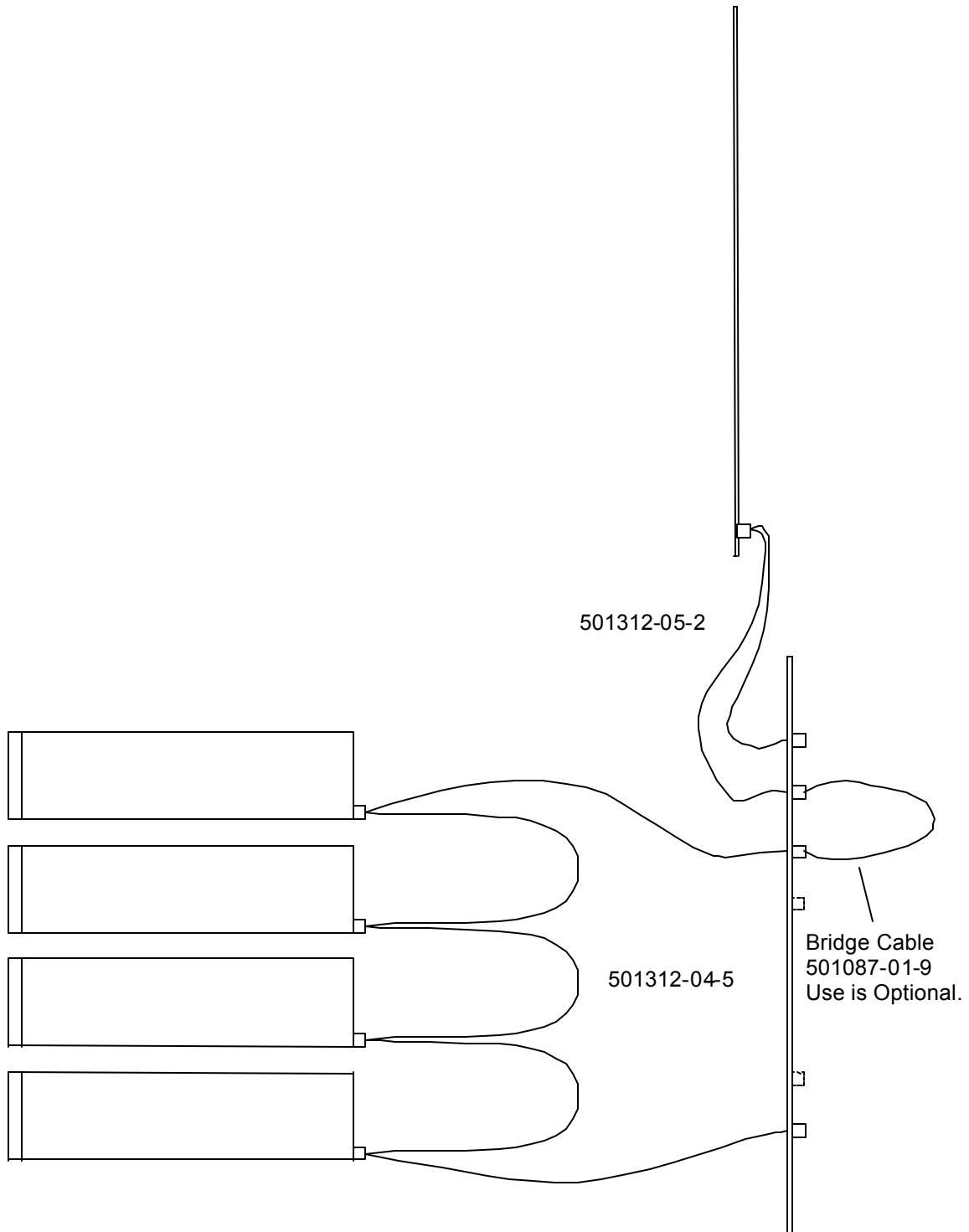


**TLS-42xx  
2X with FCO  
500848-41-1**

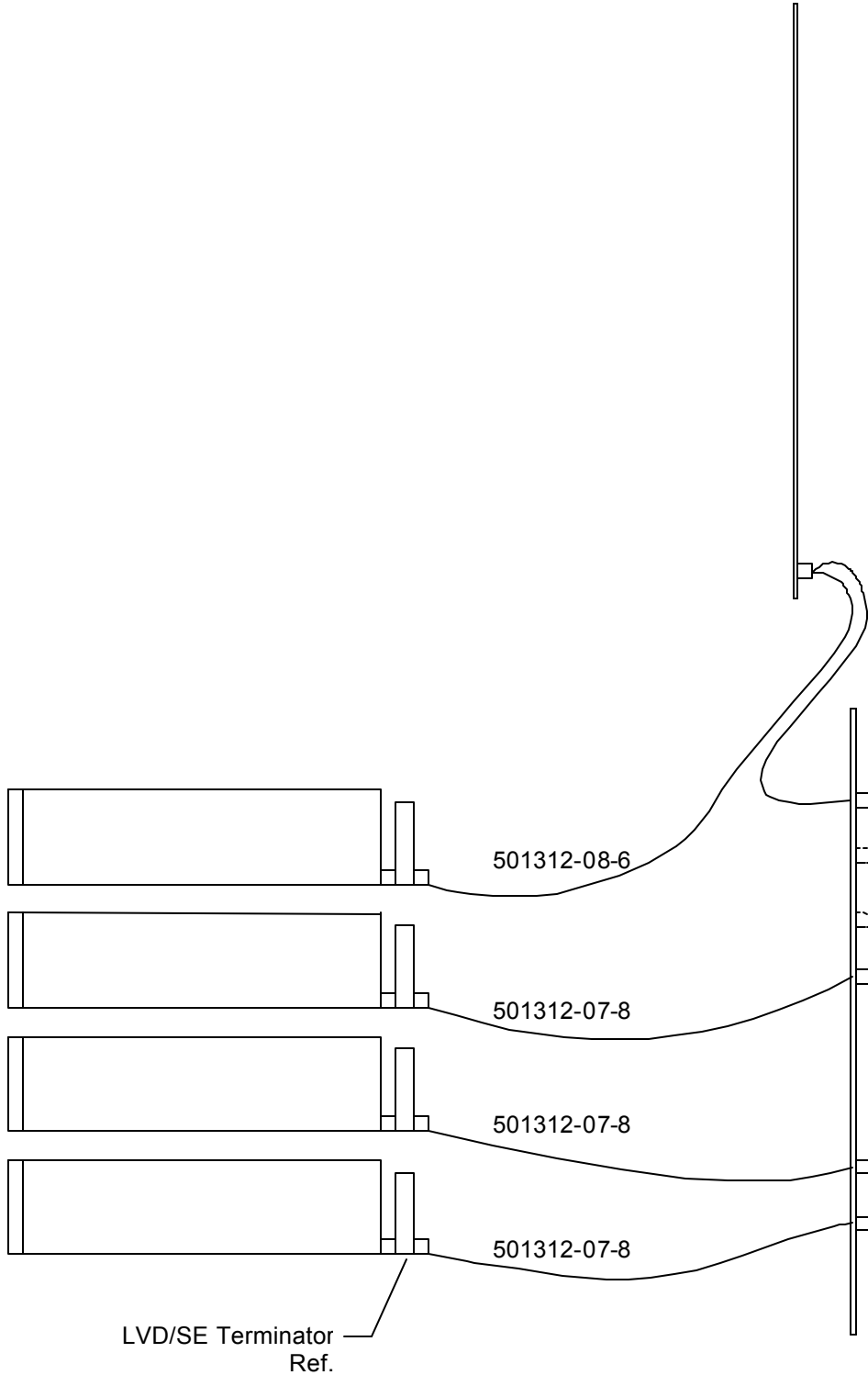
---

---

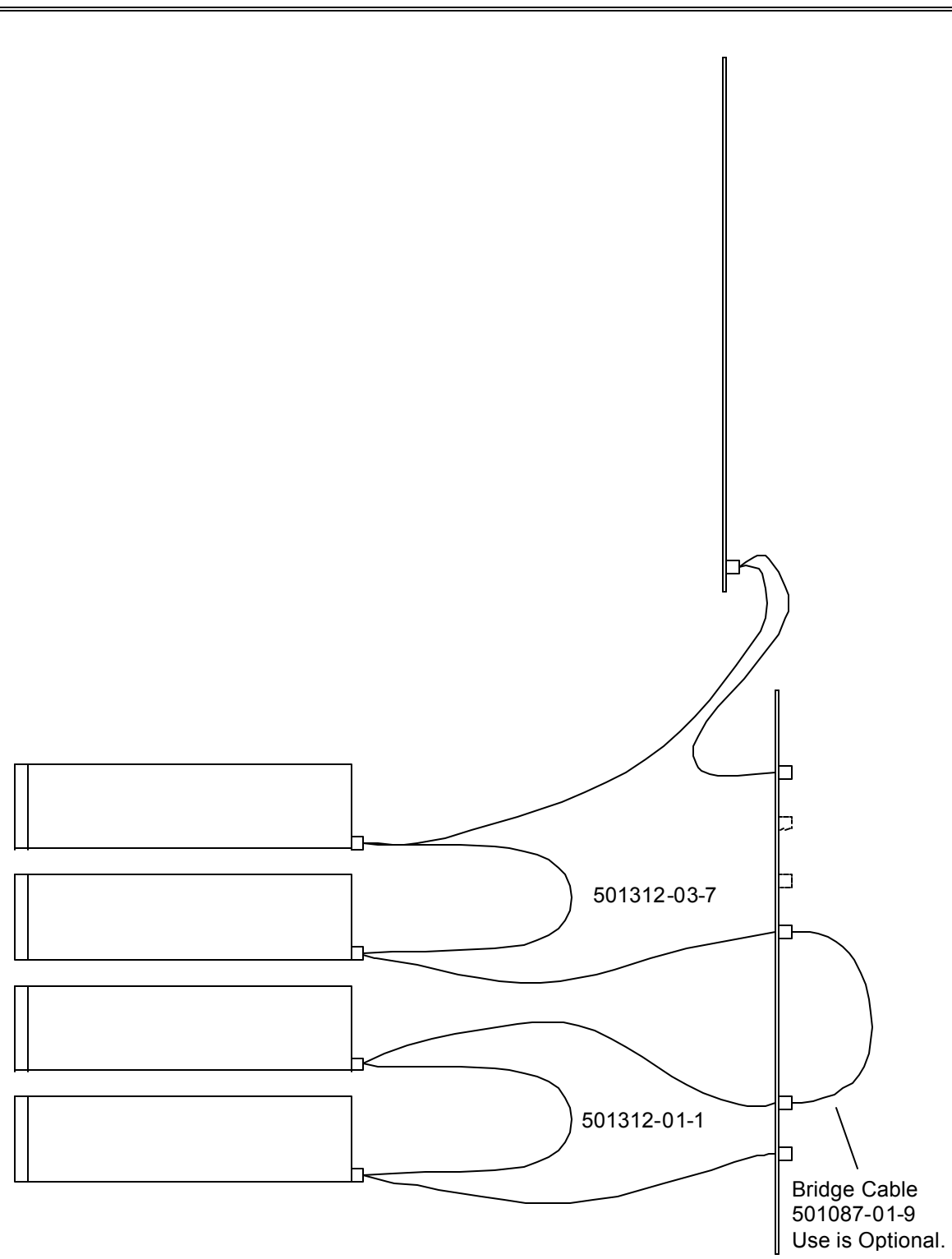
## 2. 44xx Libraries



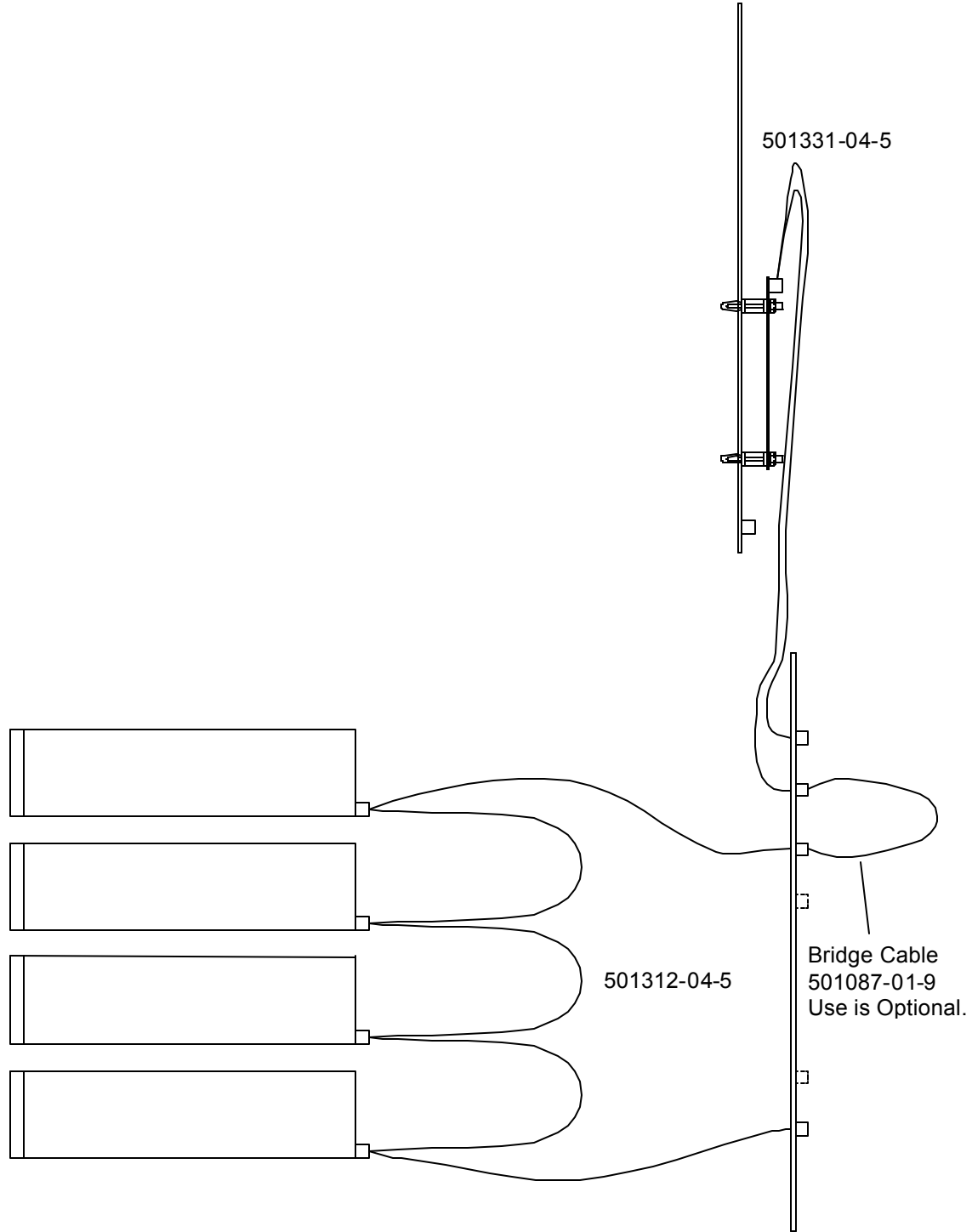
**TLS-44xx**  
**4X HD68 (1x4)**  
**500848-23-9**



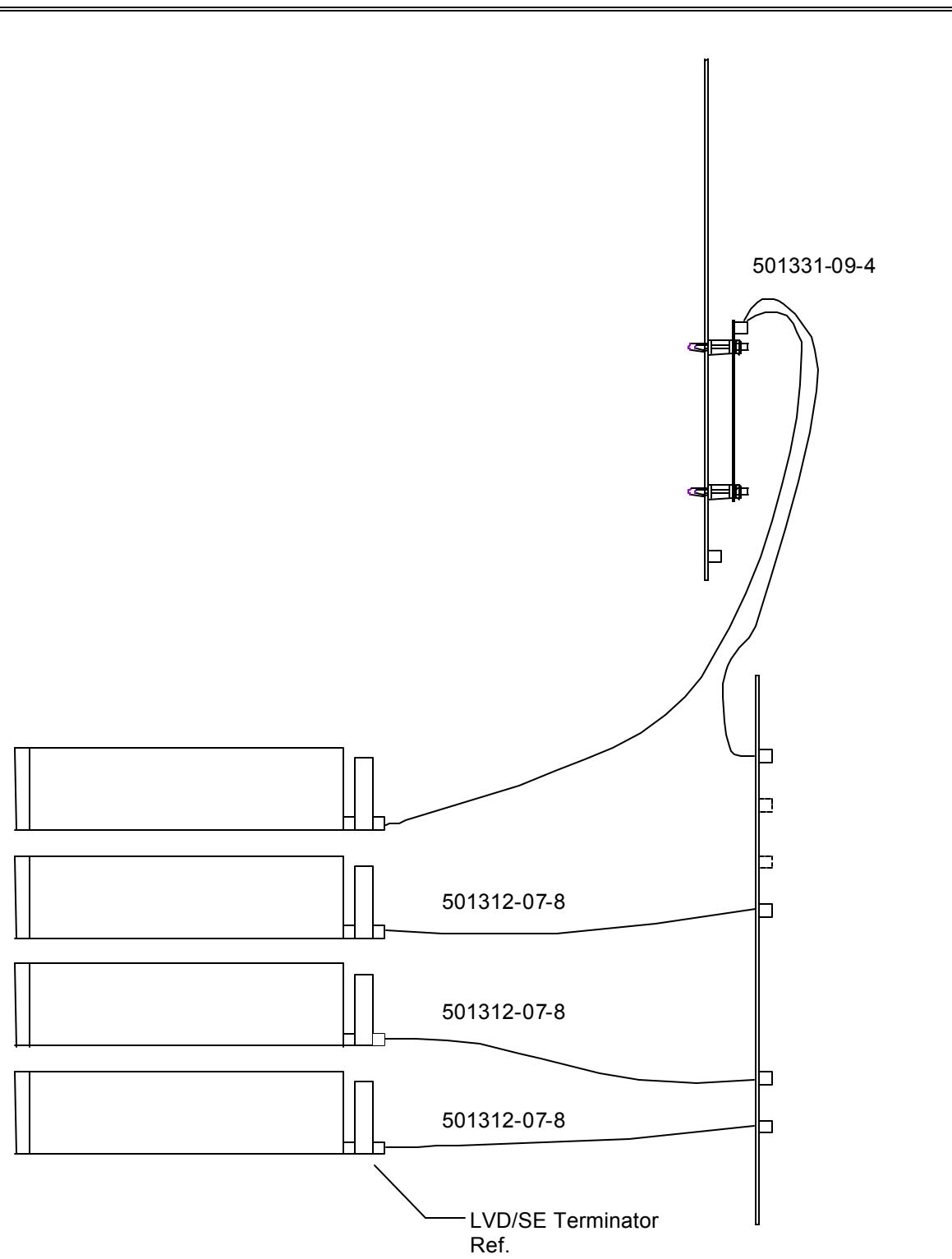
**TLS-44xx**  
**4X HD68 (4x1)**  
**500848-49-4**



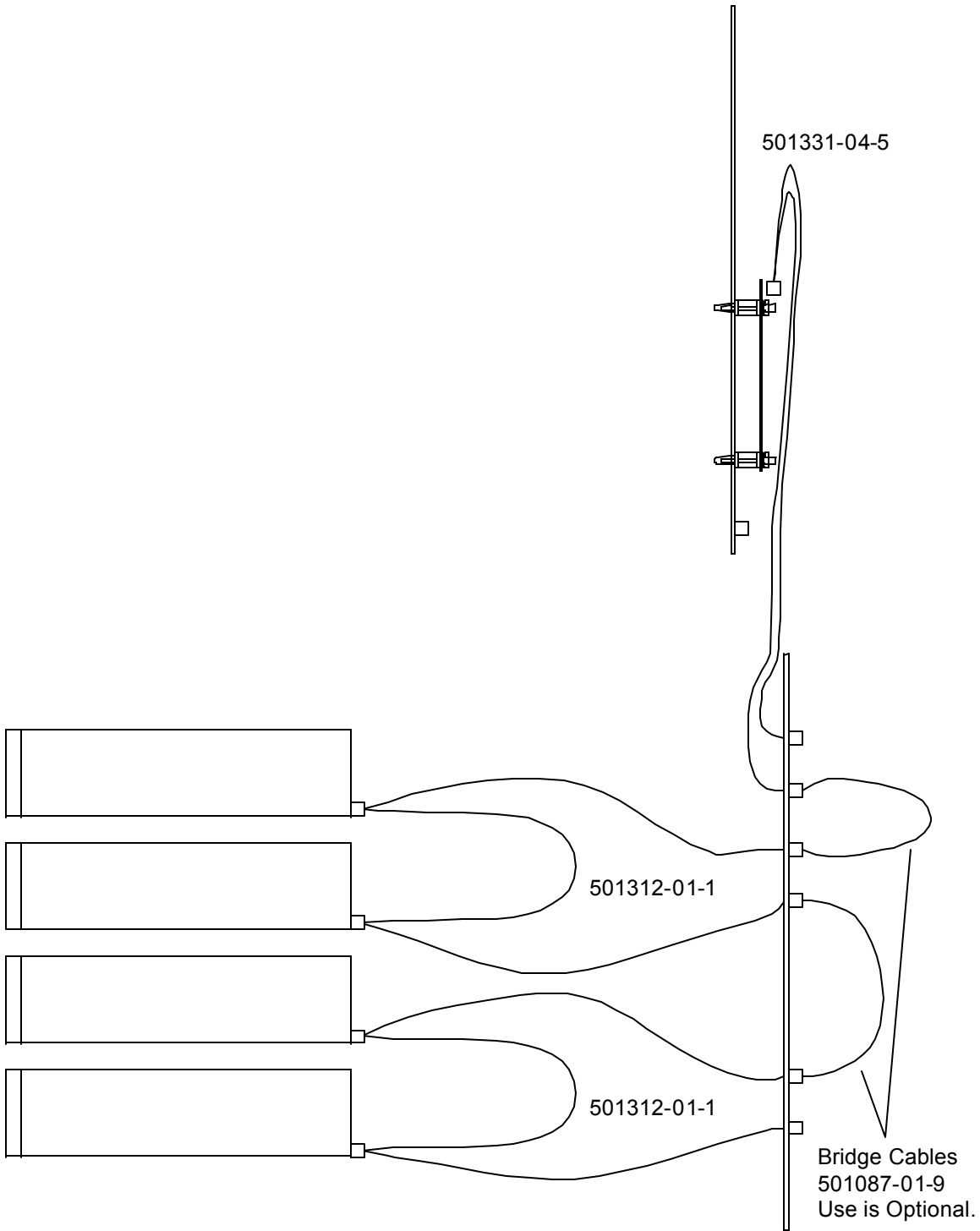
**TLS-44xx**  
**4X HD68 (2x2)**  
**500848-24-7**



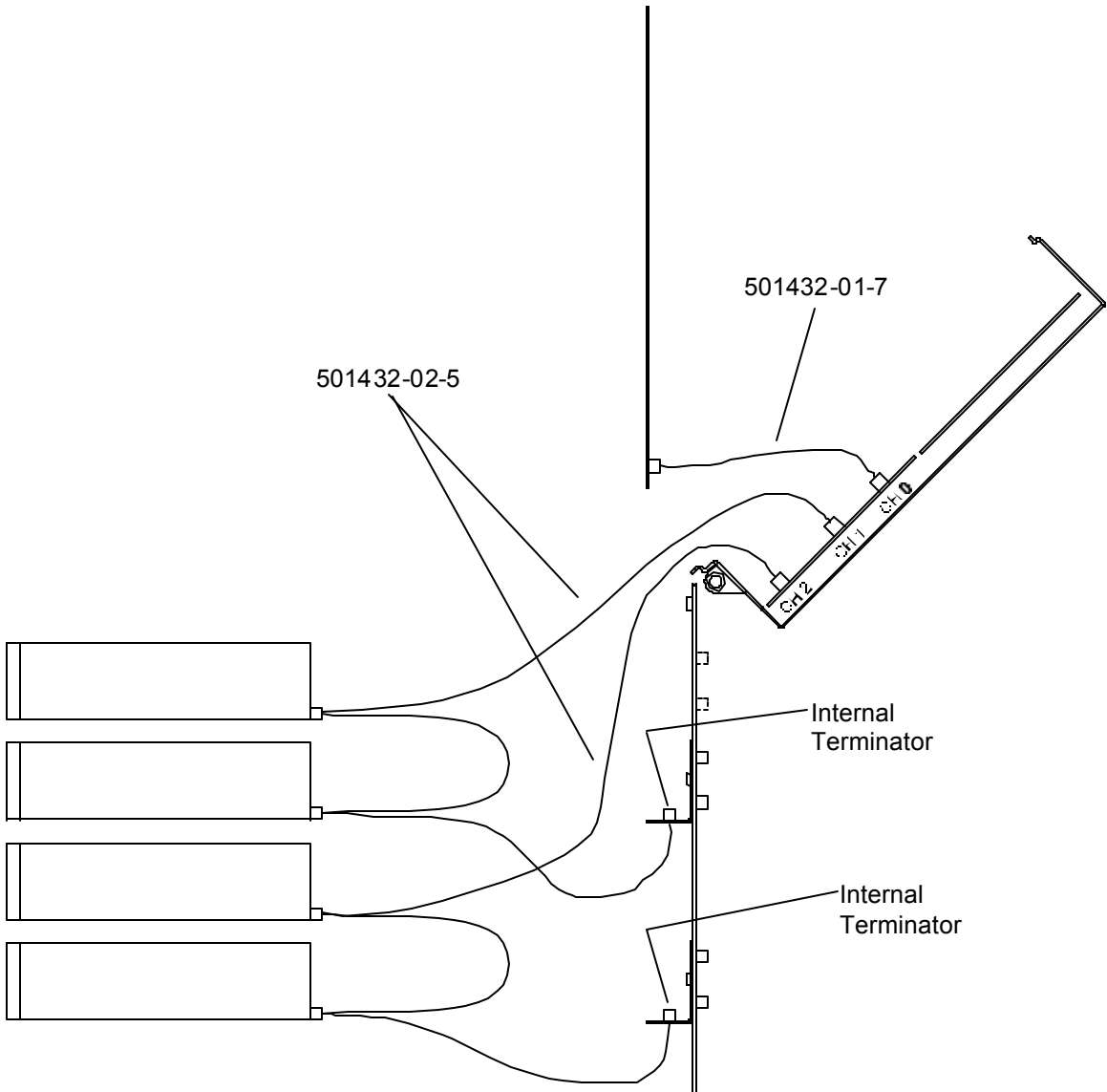
**TLS-44xx**  
**4X HD68 (1x4) with Adapter**  
**500848-29-6**



**TLS-44xx**  
**4X HD68 (4x1) with Adapter**  
**500848-53-6**



**TLS-44xx**  
**4X HD68 (2x2) with Adapter**  
**500848-30-4**



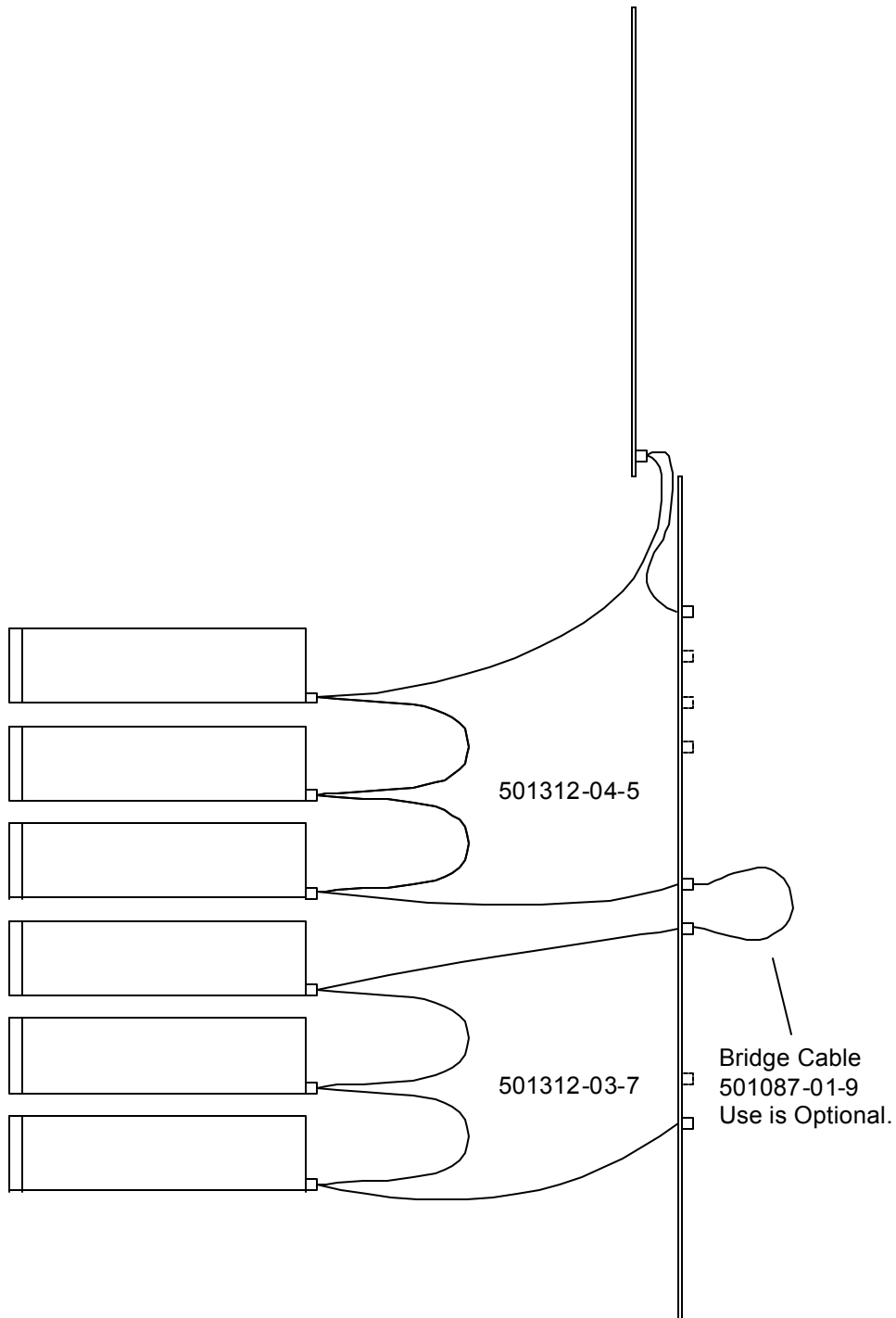
**TLS-44xx  
4X with FCO  
500848-42-9**



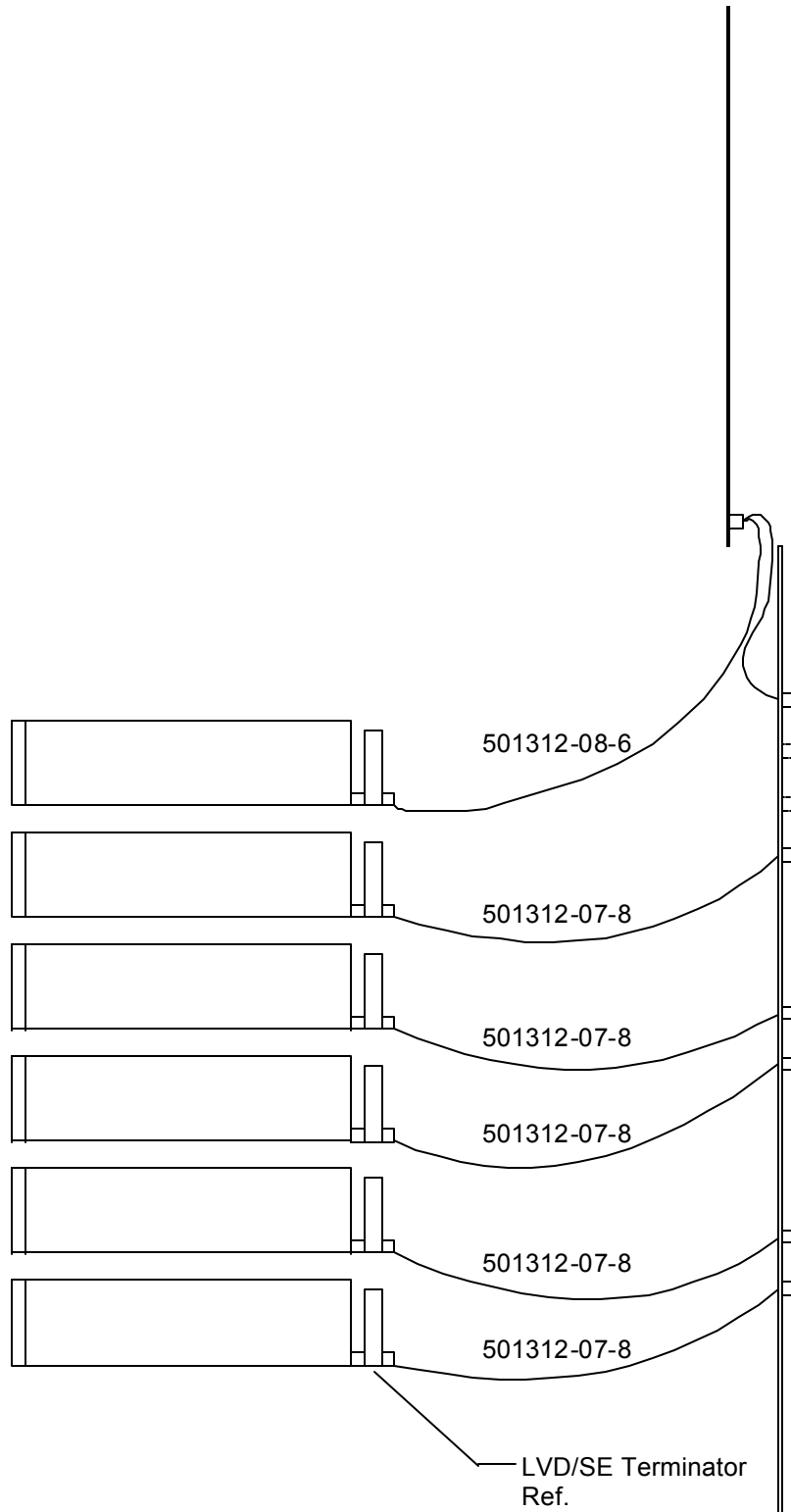
---

---

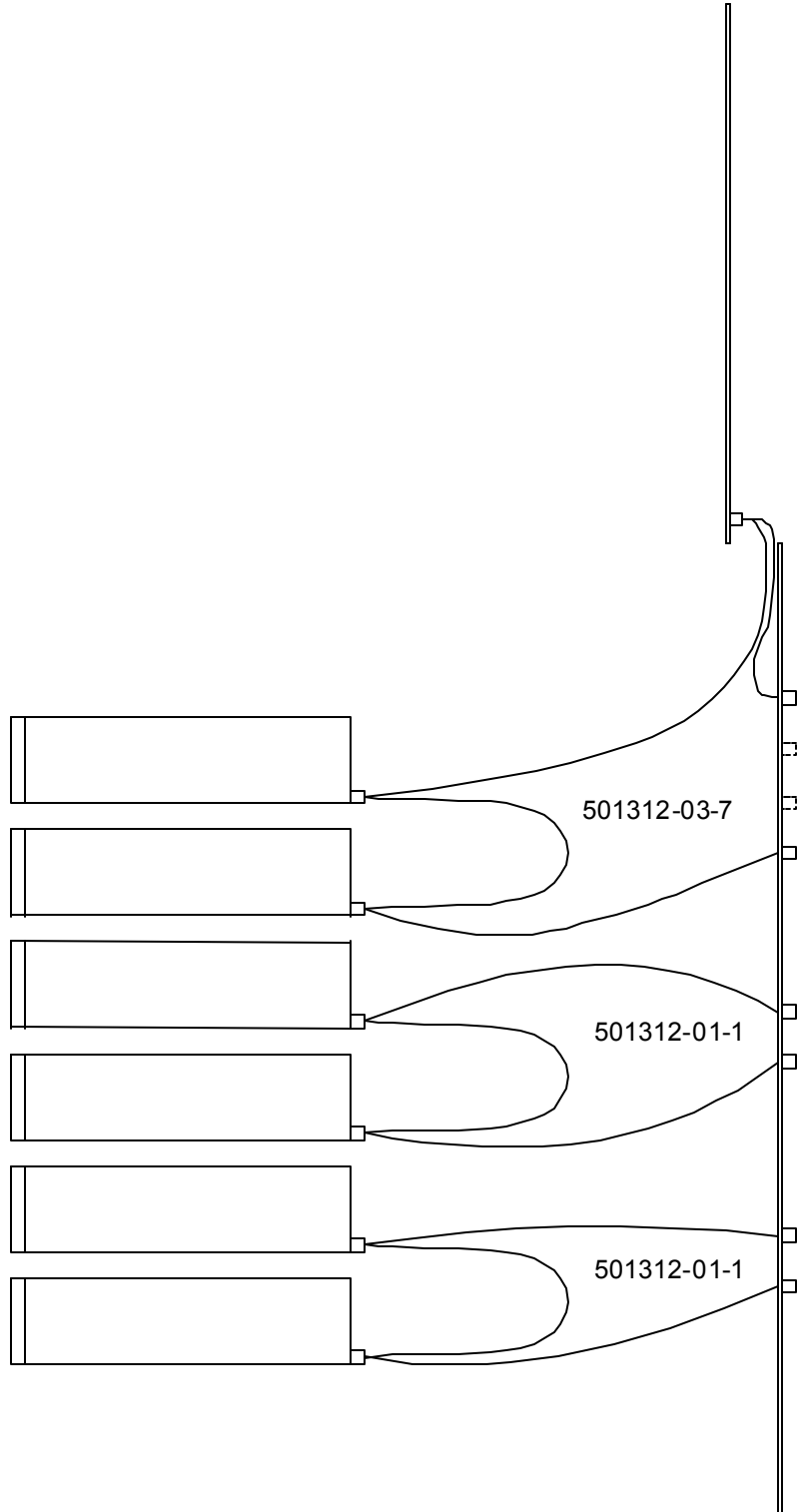
### 3. 46xxx Libraries



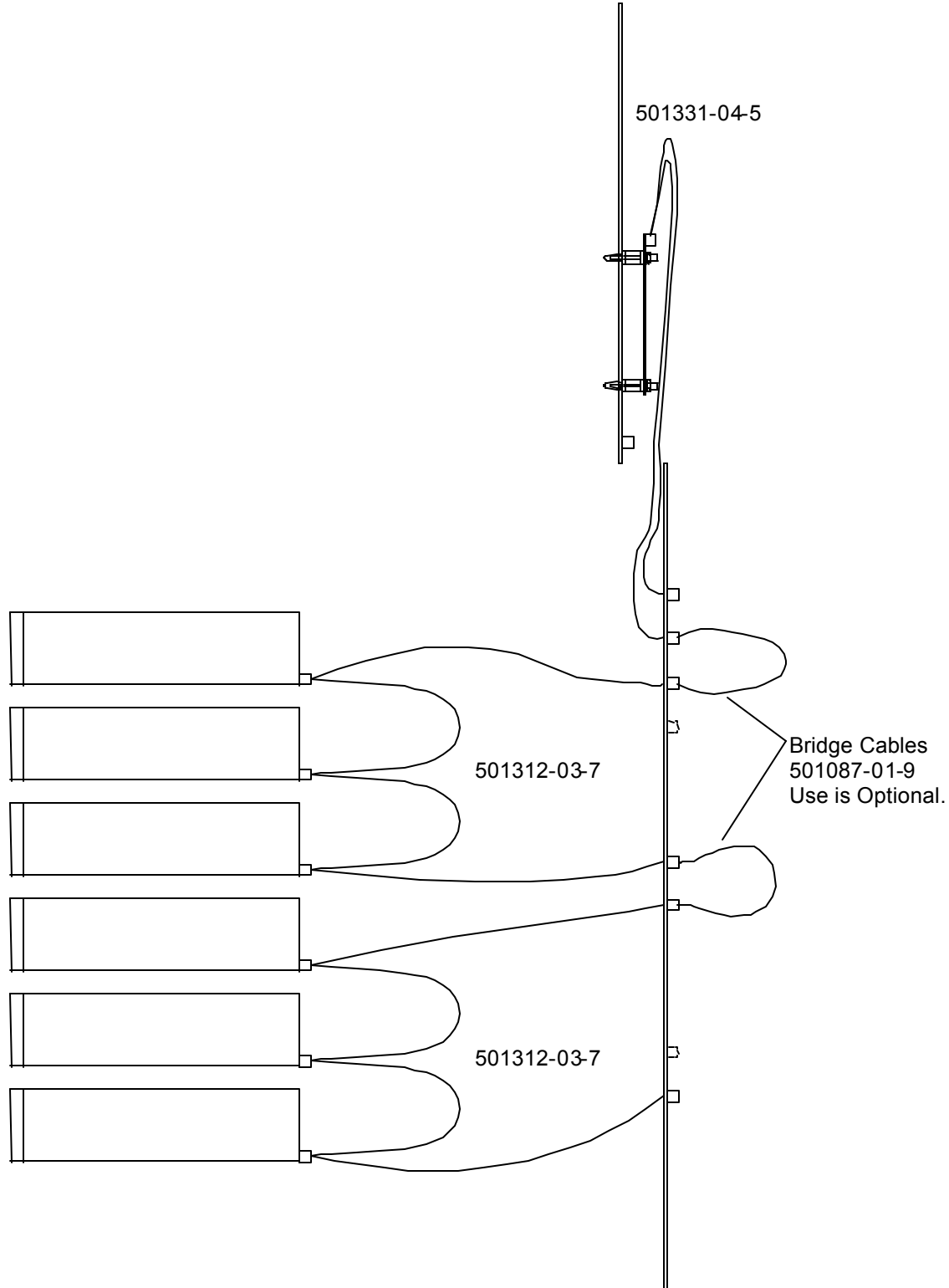
**TLS-46xxx**  
**6X HD68 2x3 (1x6)**  
**500848-26-2**



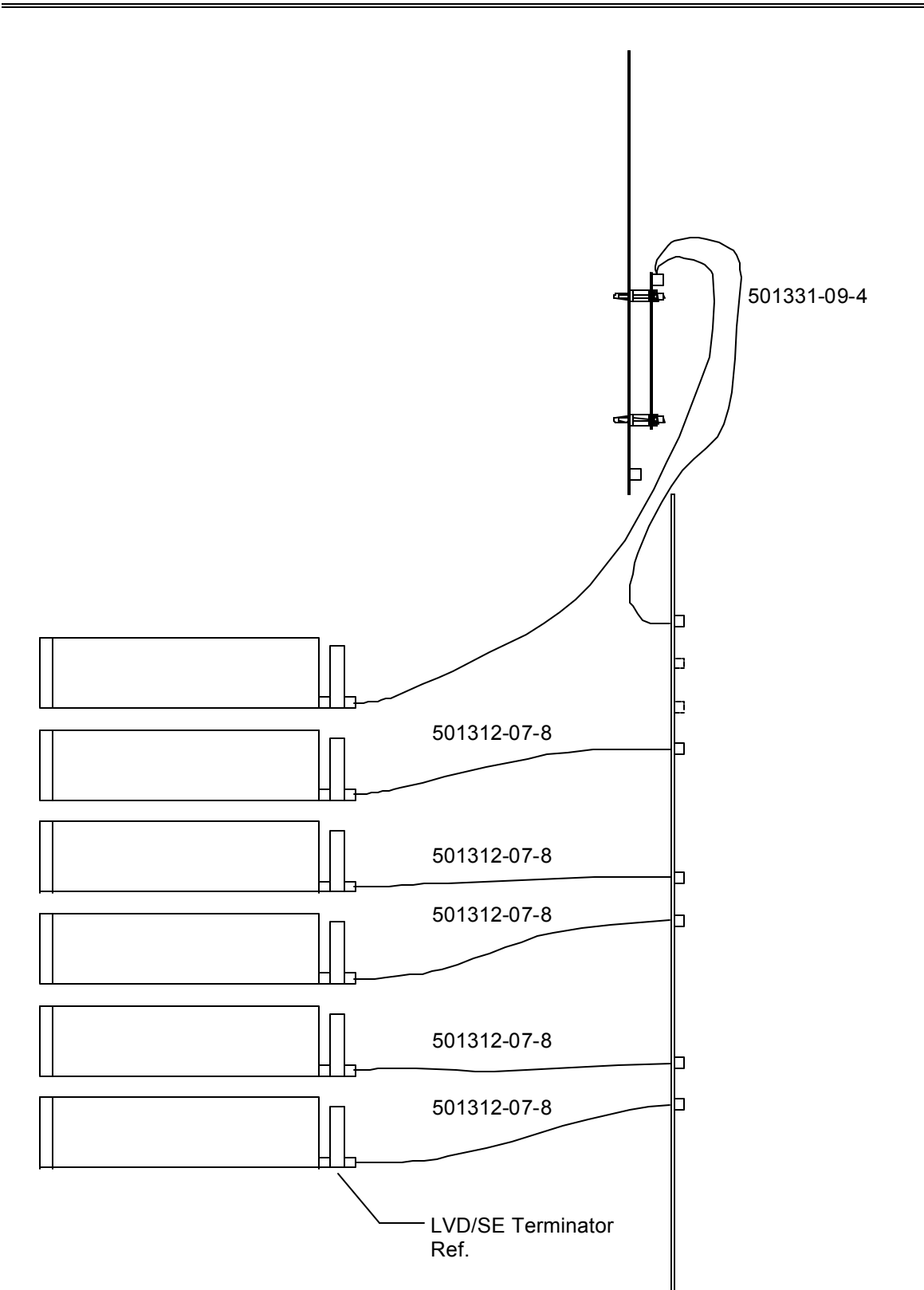
**TLS-46xxx**  
**6X HD68 (6x1)**  
**500848-50-2**



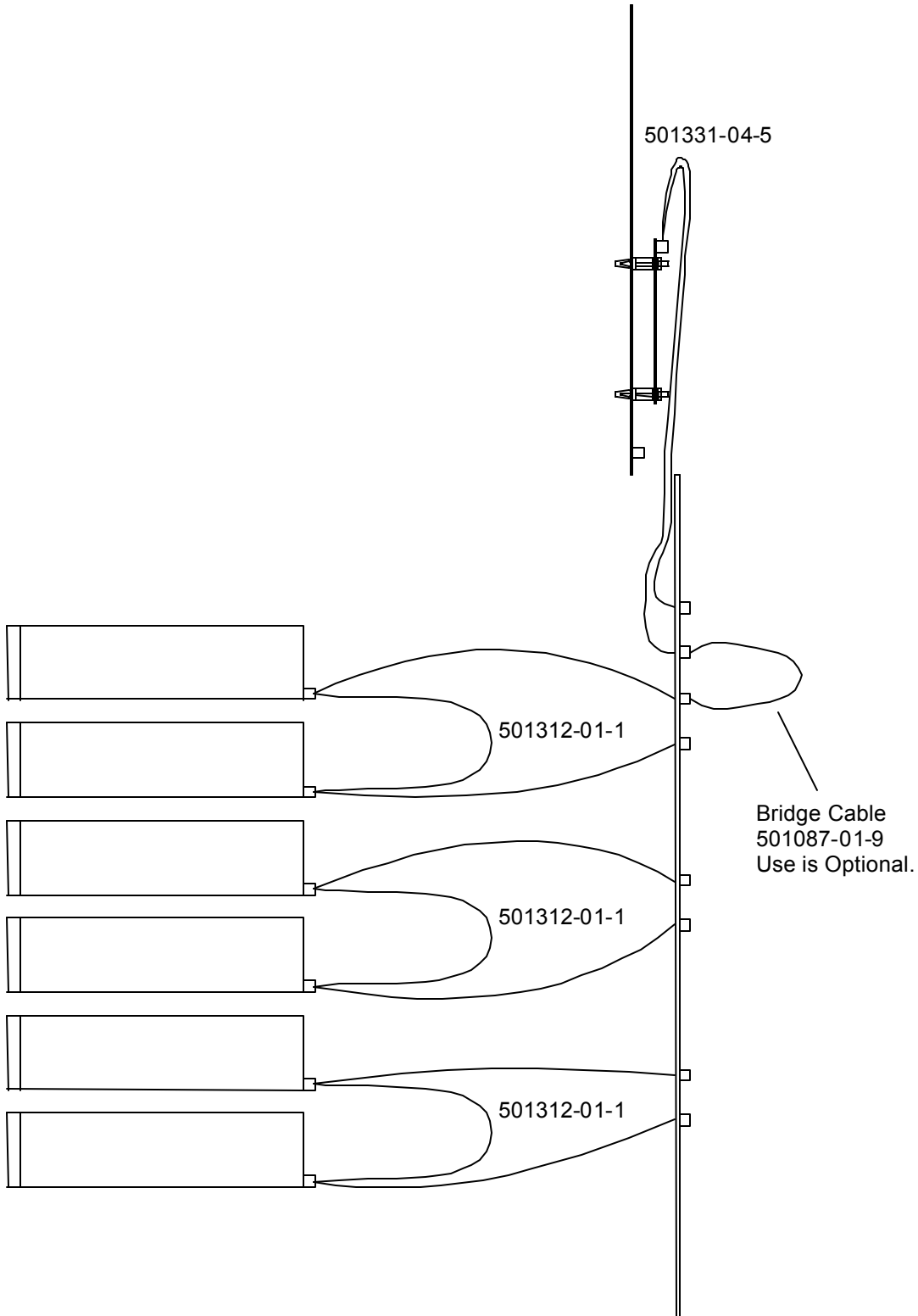
**TLS-46xxx**  
**6X HD68 (3x2)**  
**500848-27-0**



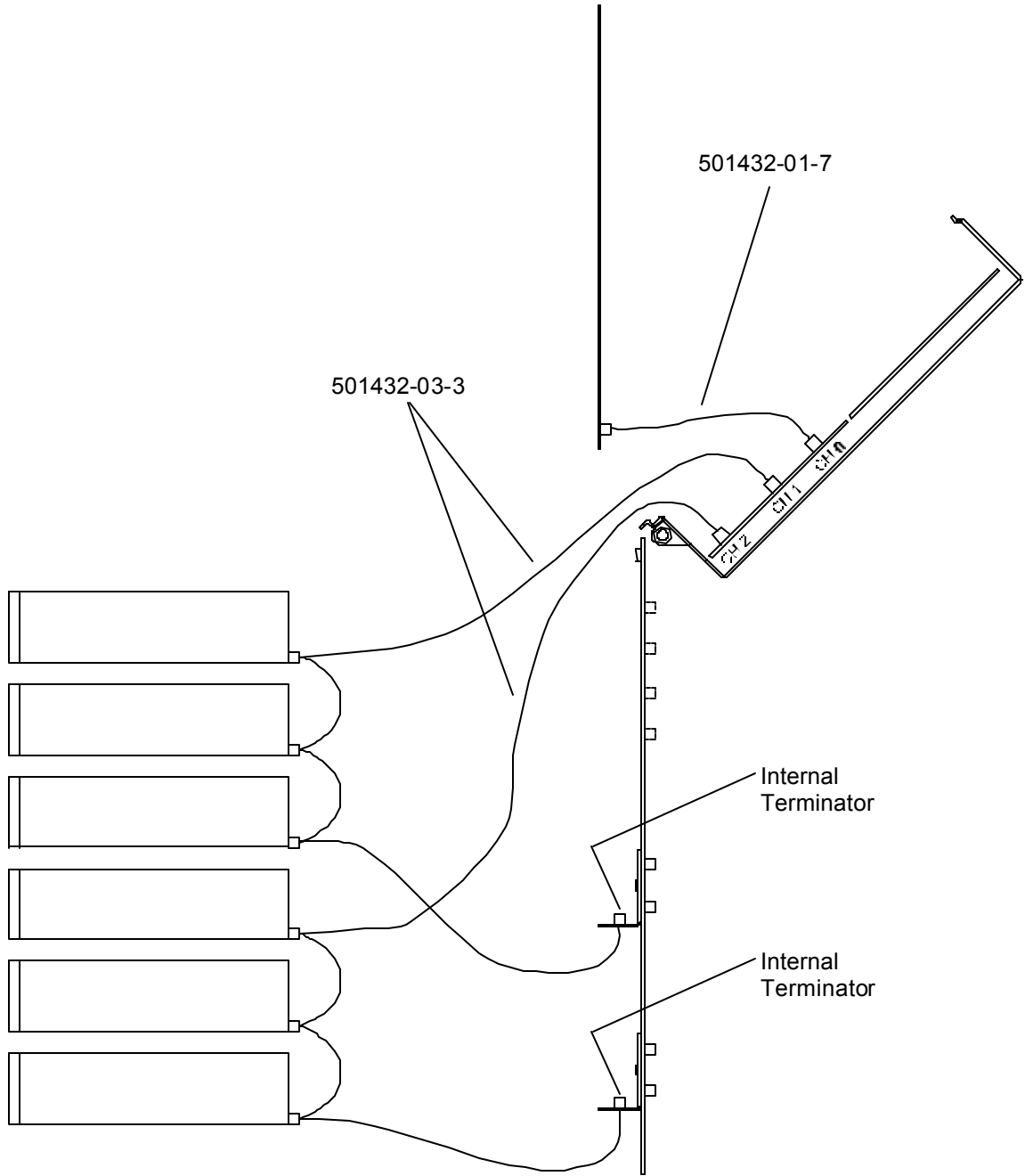
**TLS-46xxx  
6X HD68 2x3 (1x6) with Adapter  
500848-32-0**



**TLS-46xxx**  
**6X HD68 (6x1) with Adapter**  
**500848-54-4**



**TLS-46xxx**  
**6X HD68 (3x2) with Adapter**  
**500848-33-8**

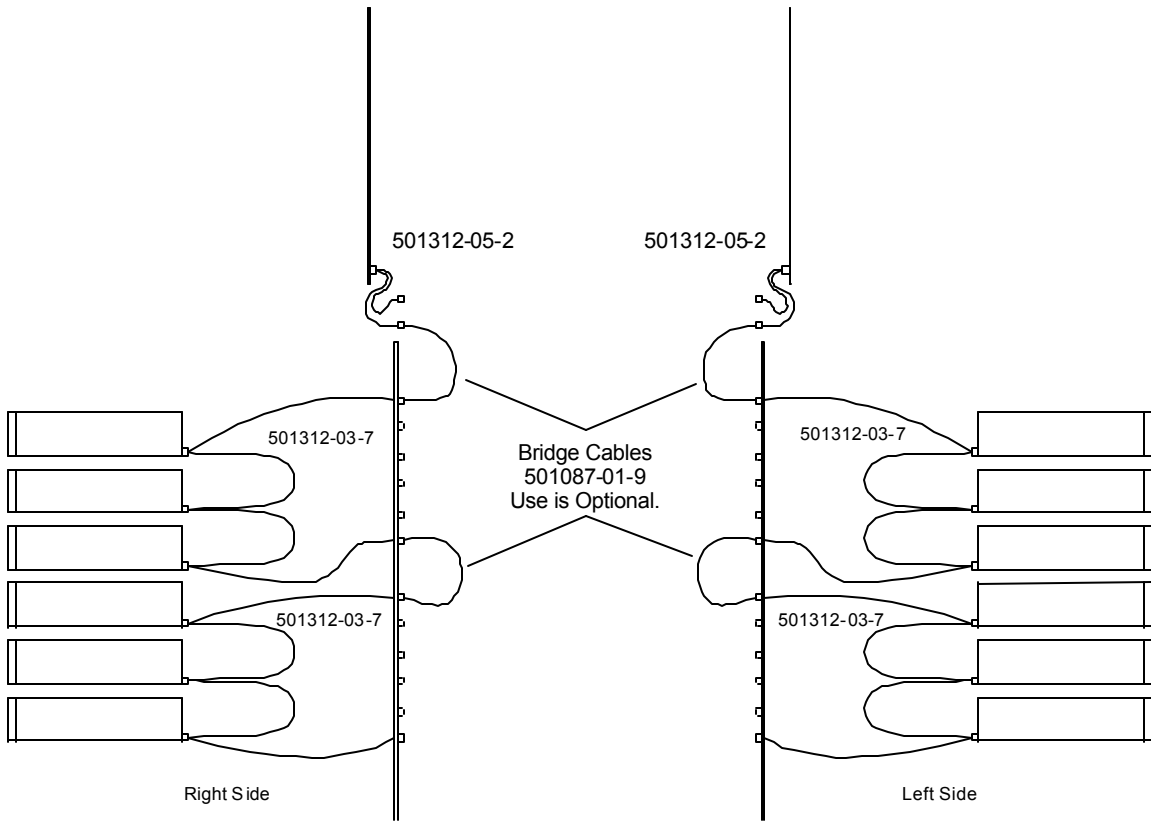


**TLS-46xxx**  
**6X with FCO**  
**500848-43-7**

---

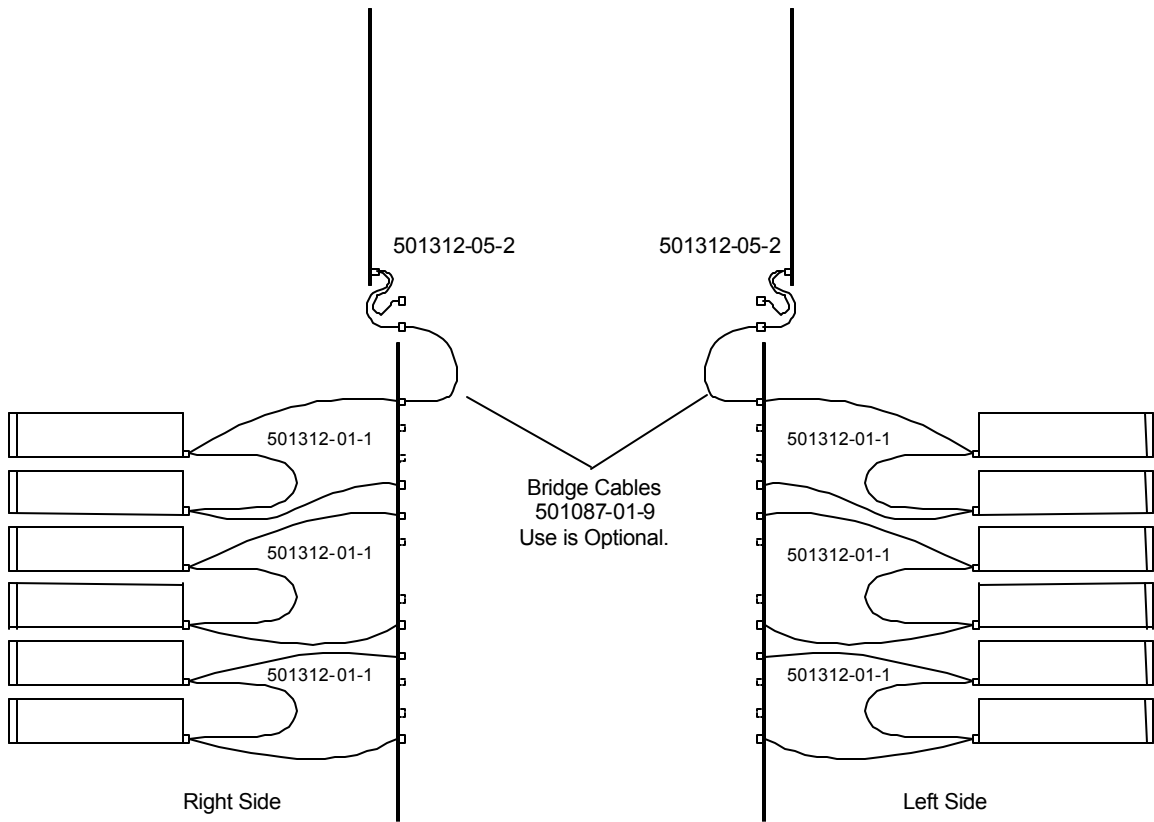
---

## 4. 412xxx Libraries

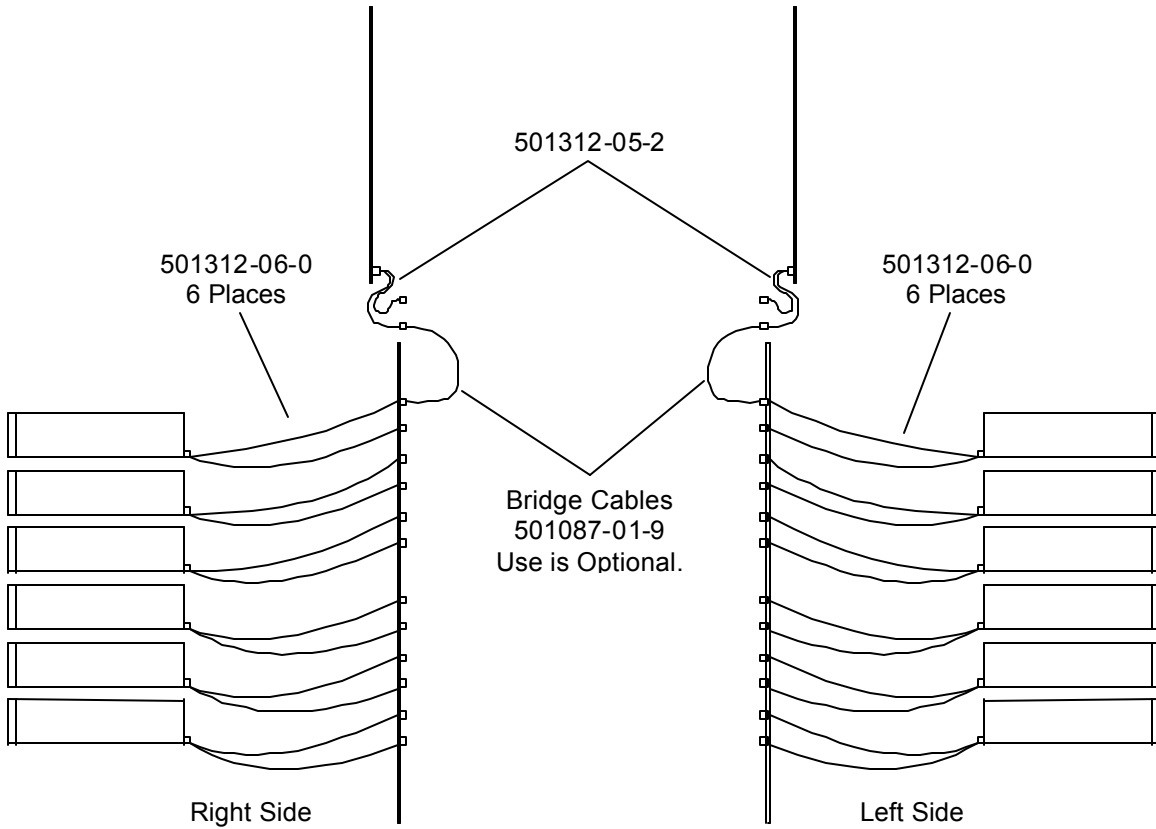


**TLS-412xxx**  
**4x3 (2x6)**  
**4 Busses, 3 Drives/Bus or 2 Busses, 6 Drives/Bus**  
**500848-15-5**

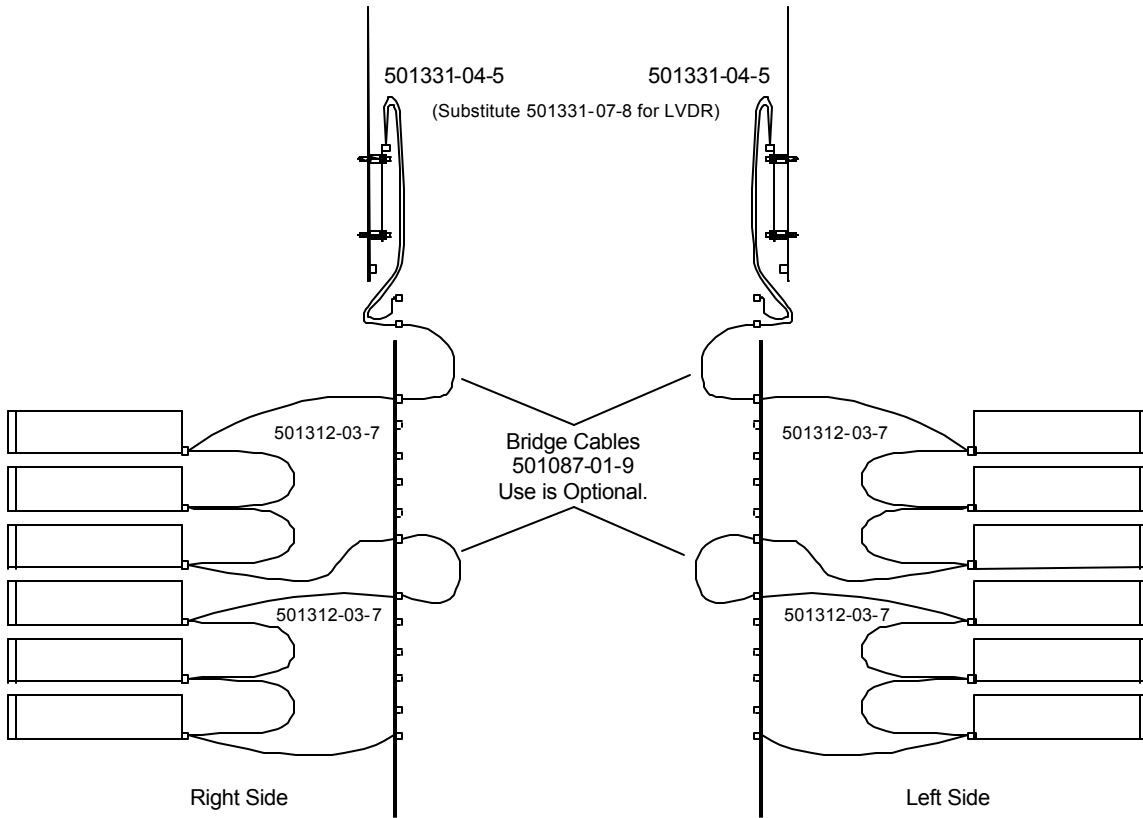




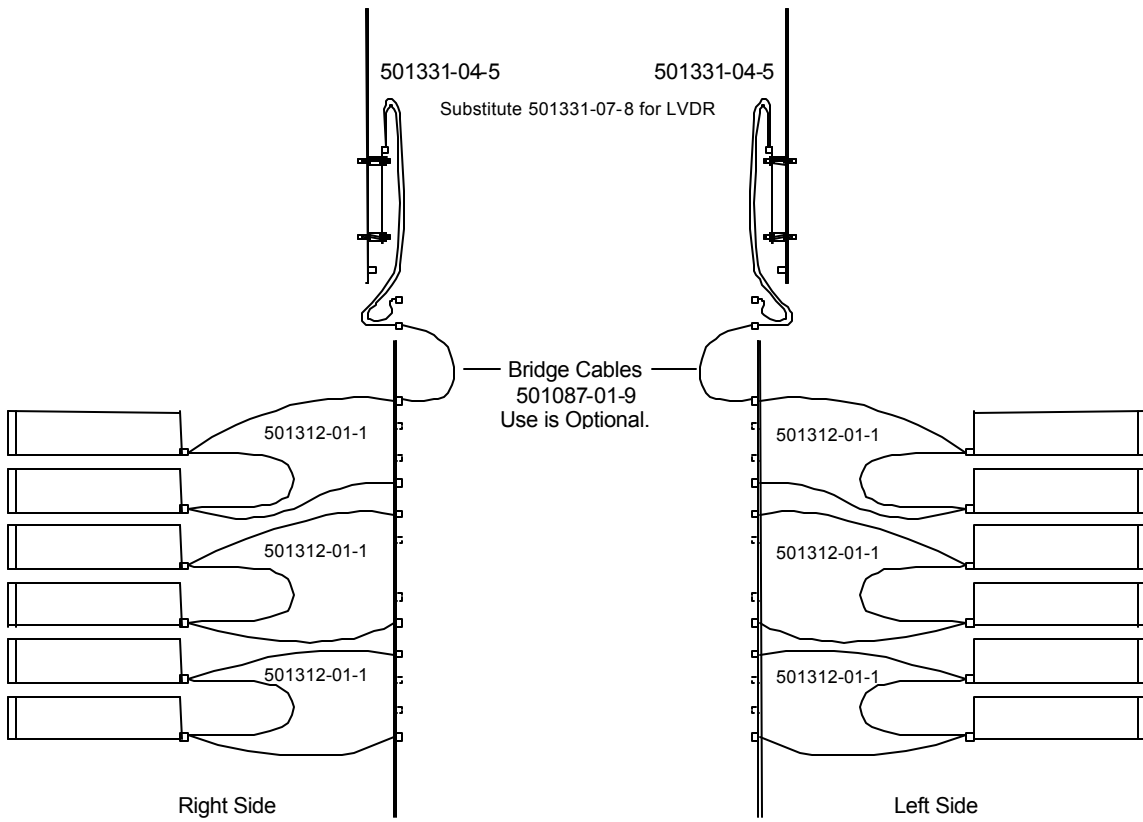
**TLS-412xxx  
(6x2)  
6 Busses, 2 Drives/Bus  
500848-16-3**



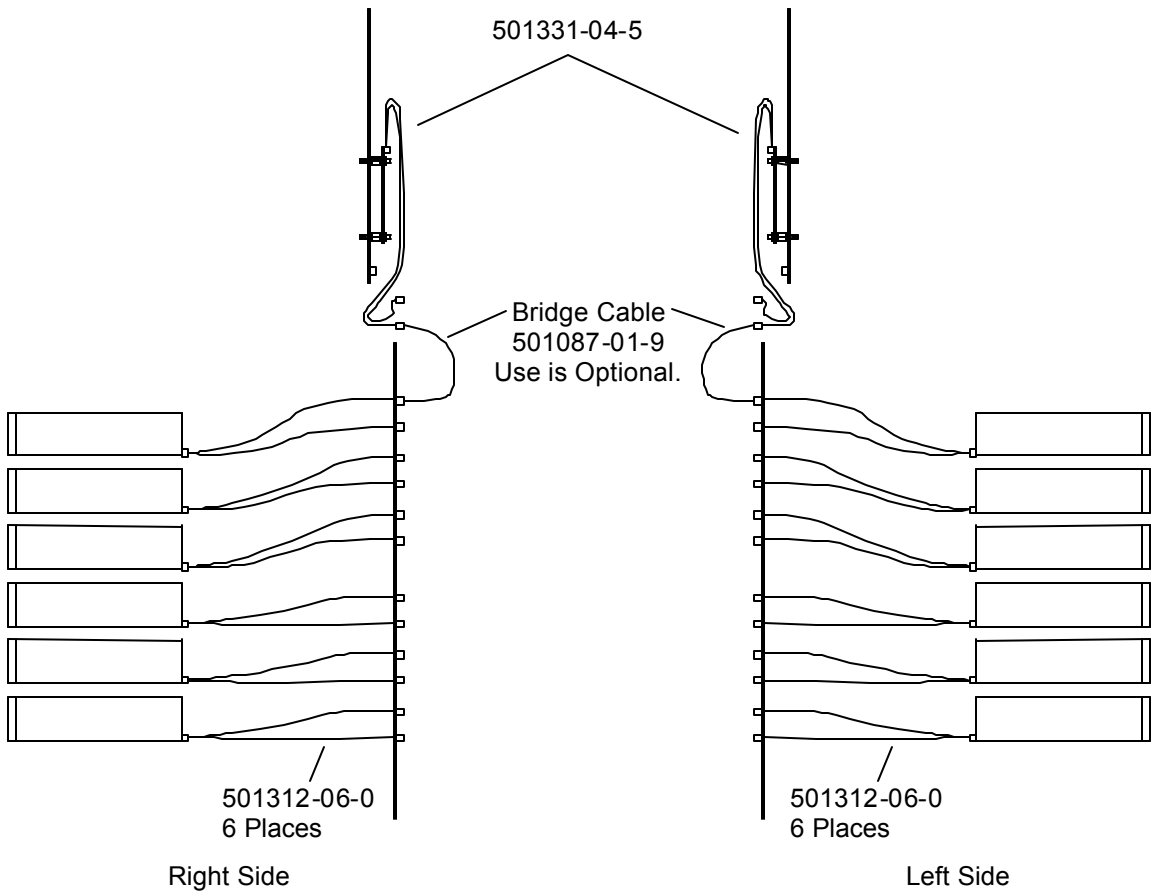
**TLS-412xxx  
(12x1)  
12 Busses, 1 Drive/Bus  
500848-51-0**



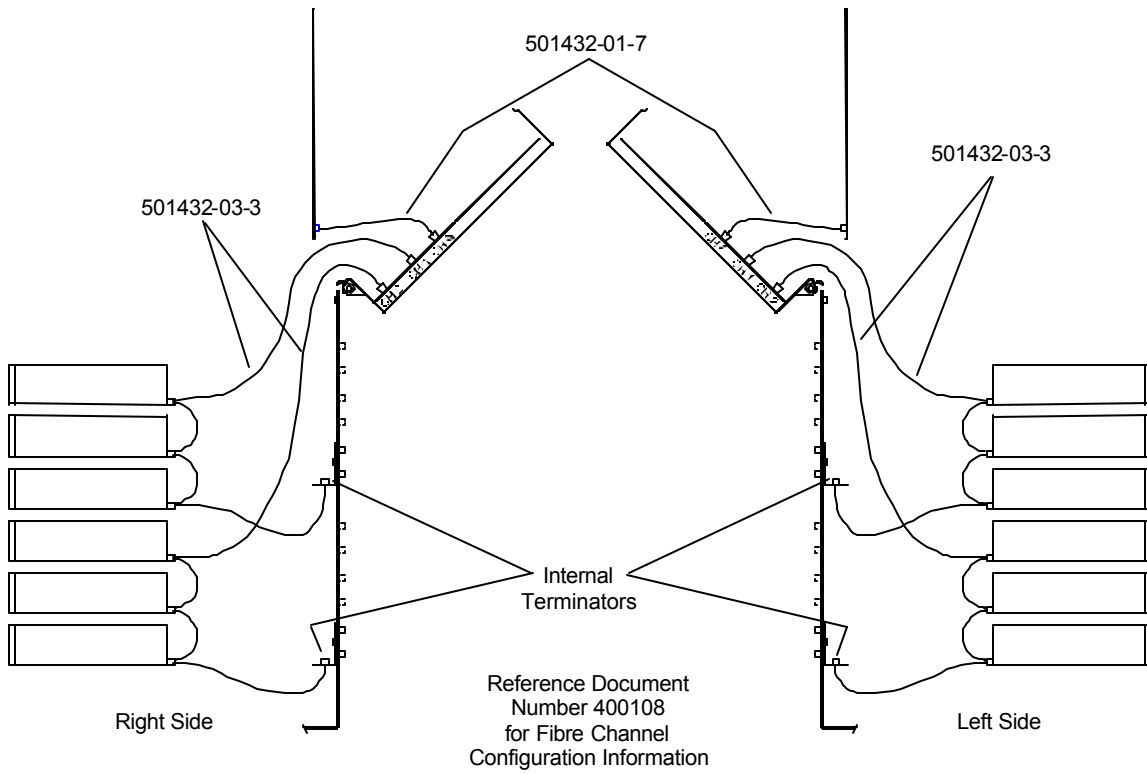
**TLS-412xxx**  
**4x3 (2x6)**  
**4 Busses, 3 Drives/Bus or 2 Busses, 6 Drives/Bus with Adapter**  
**500848-17-1**



**TLS-412xxx**  
**(6x2)**  
**6 Busses, 2 Drives/Bus with Adapter**  
**500848-18-9**



**TLS-412xxx  
(12x1)  
12 Busses, 1 Drive/Bus with Adapter  
500848-55-1**

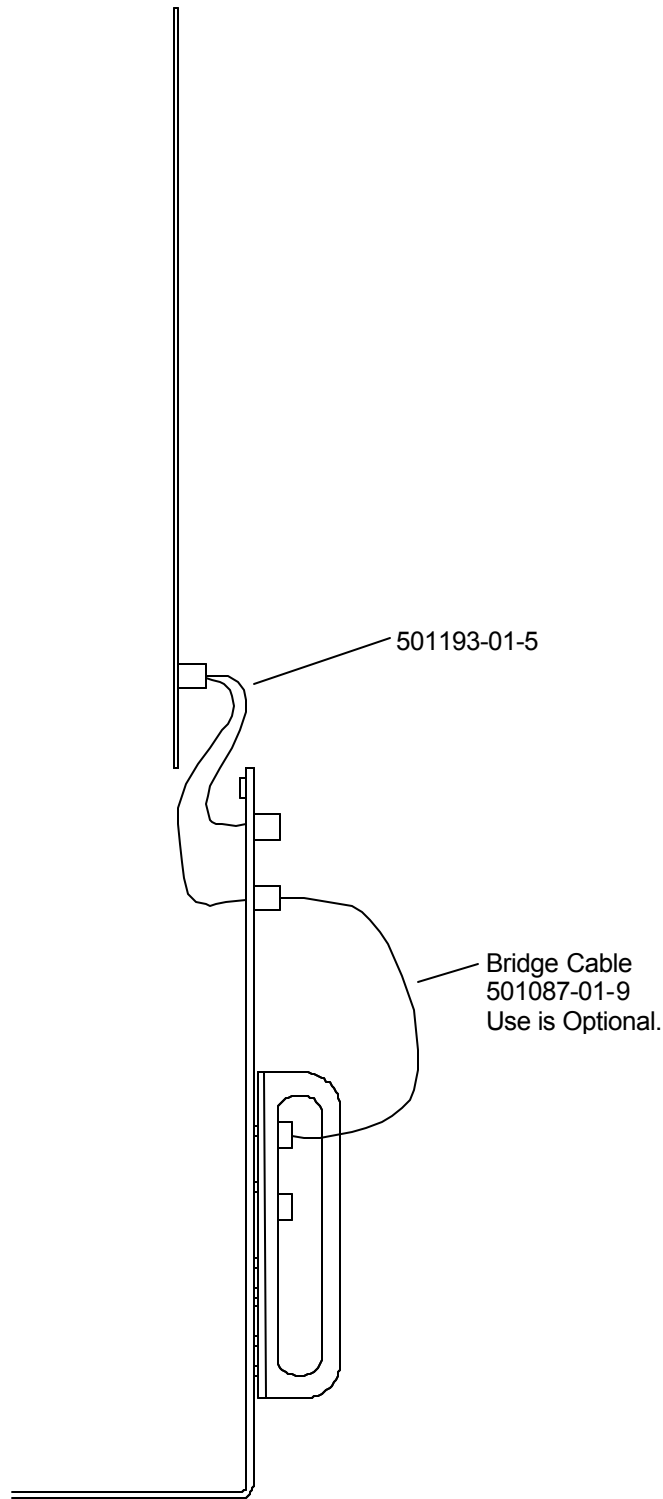


**TLS-412xxx  
12X with FCO  
500848-44-5**

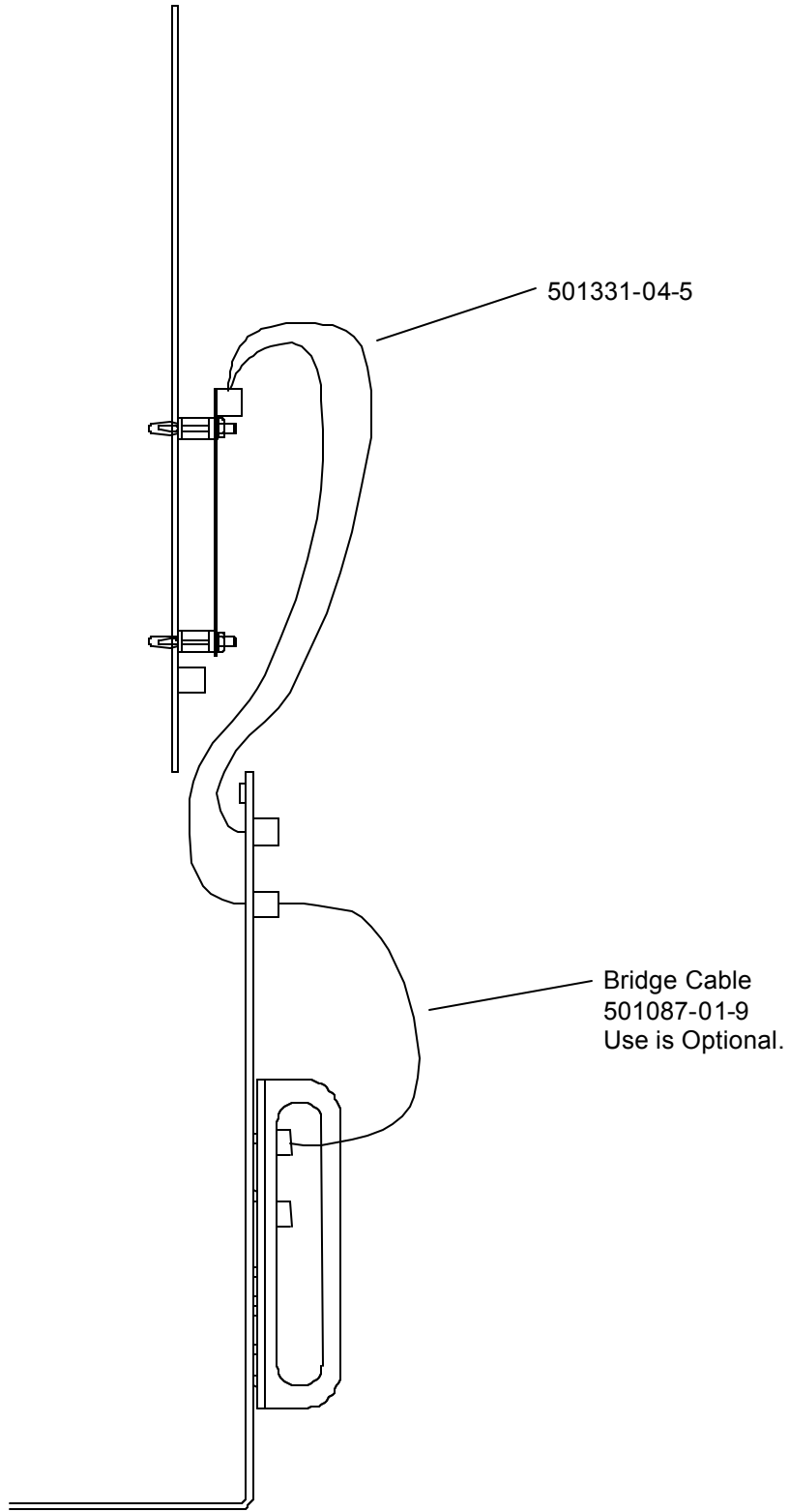
---

---

## 5. 61xx / 81xx Libraries



**TLS-61xx/81xx**  
**1X LVD/SE**



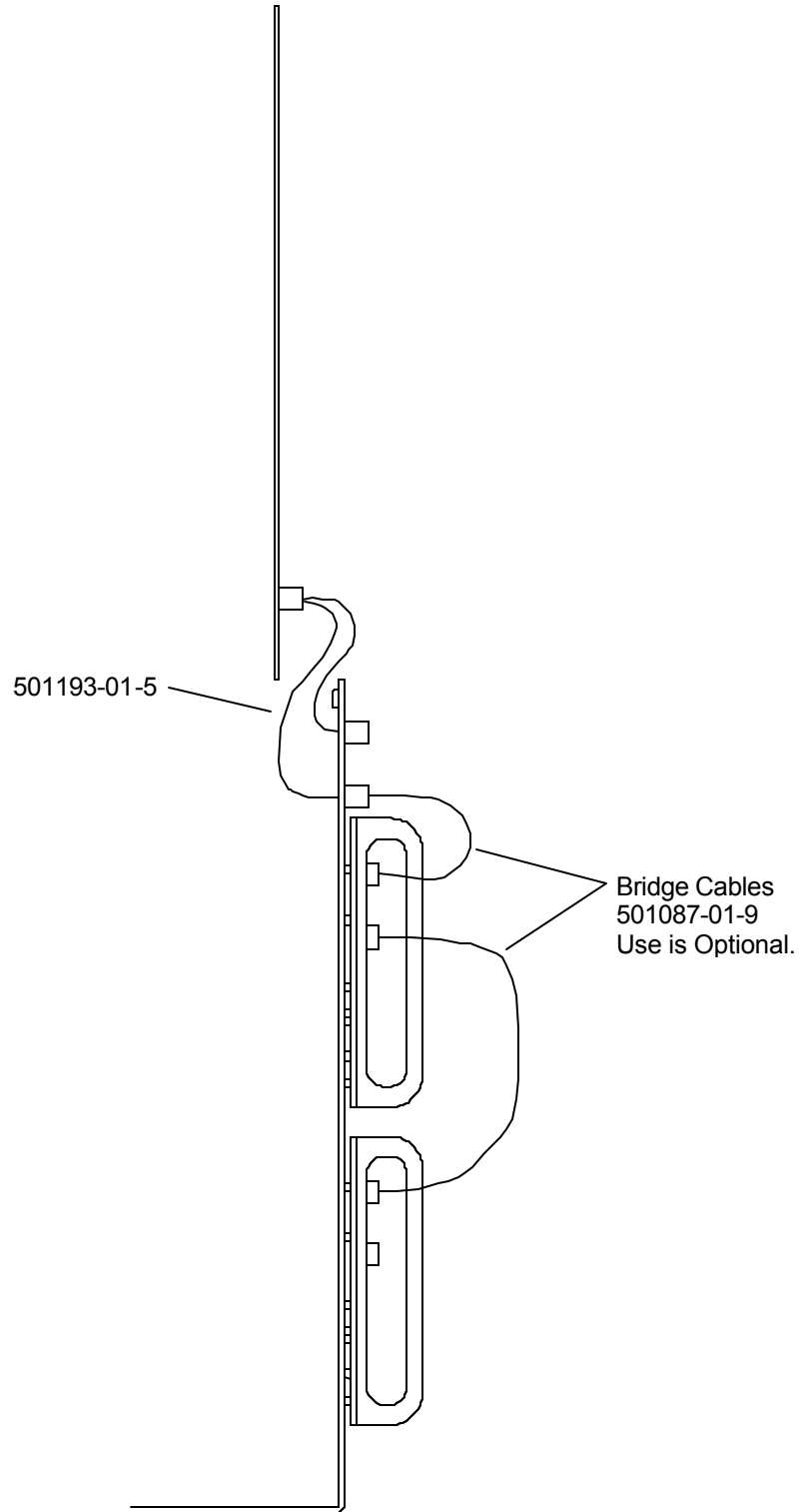
**TLS-61xx/81xx  
1X HVD**



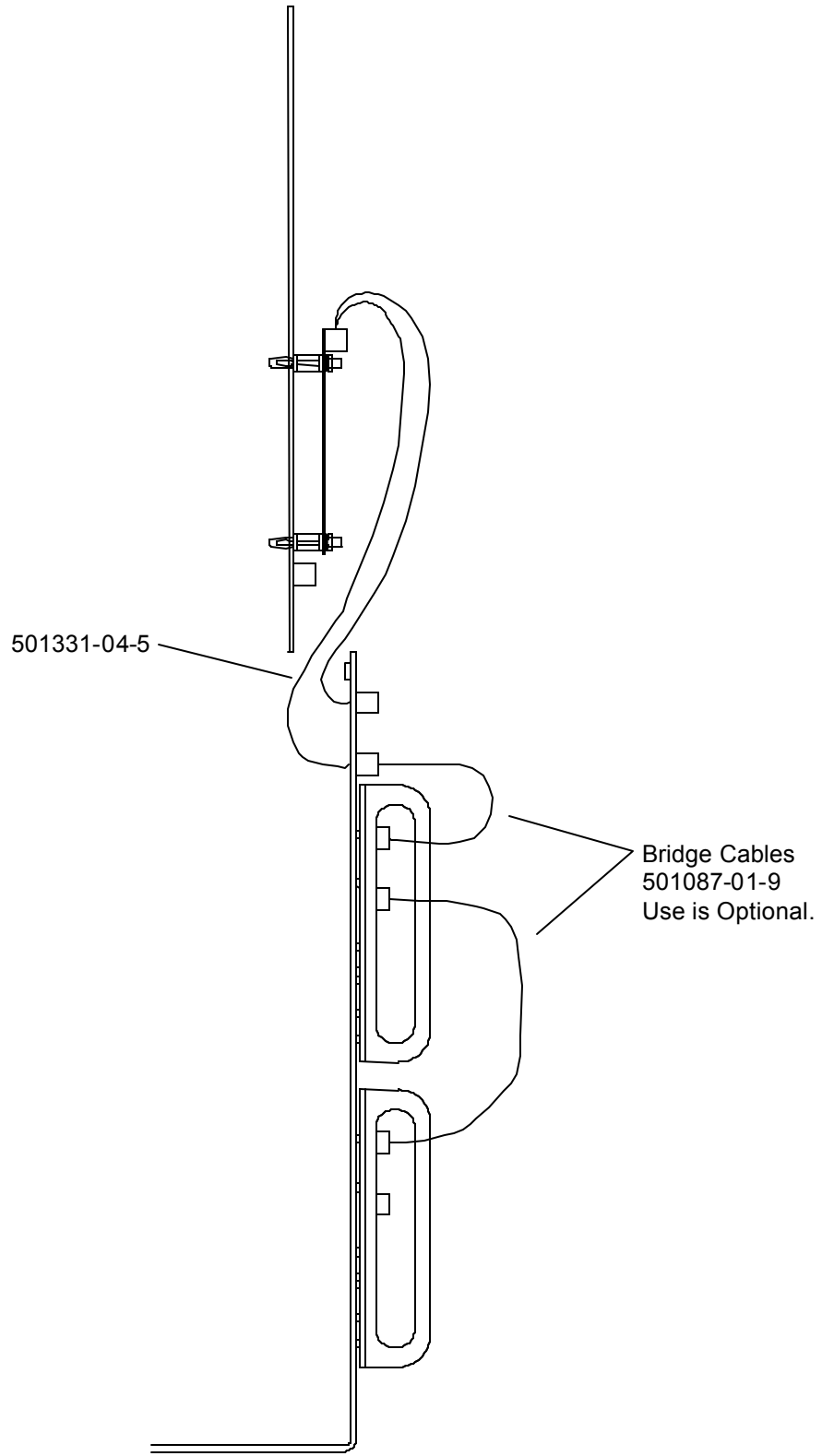
---

---

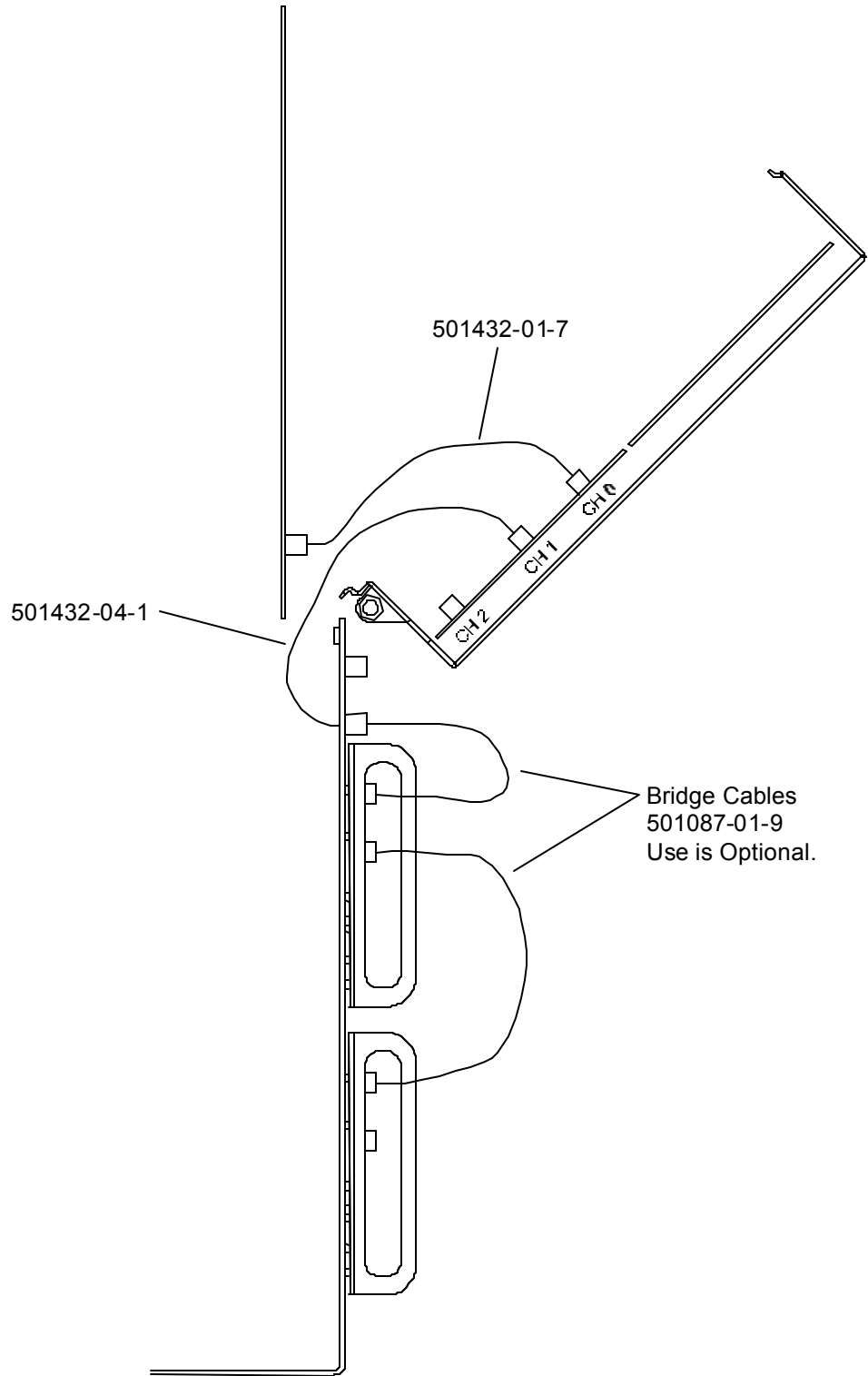
## 6. 62xx / 82xx Libraries



**TLS-62xx/82xx  
2X LVD/SE**



**TLS-62xx/82xx  
2X HVD**

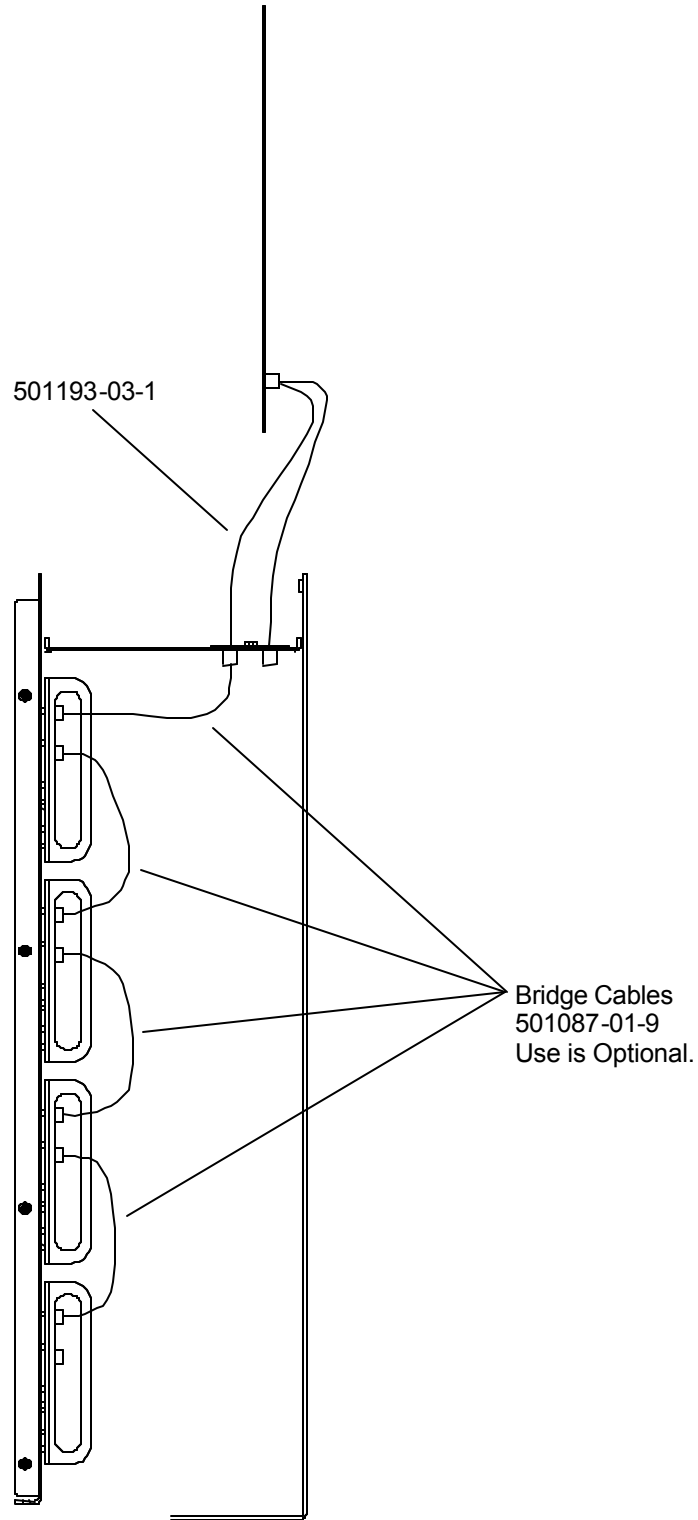


**TLS-62xx/82xx  
2X FCO  
500848-45-2**

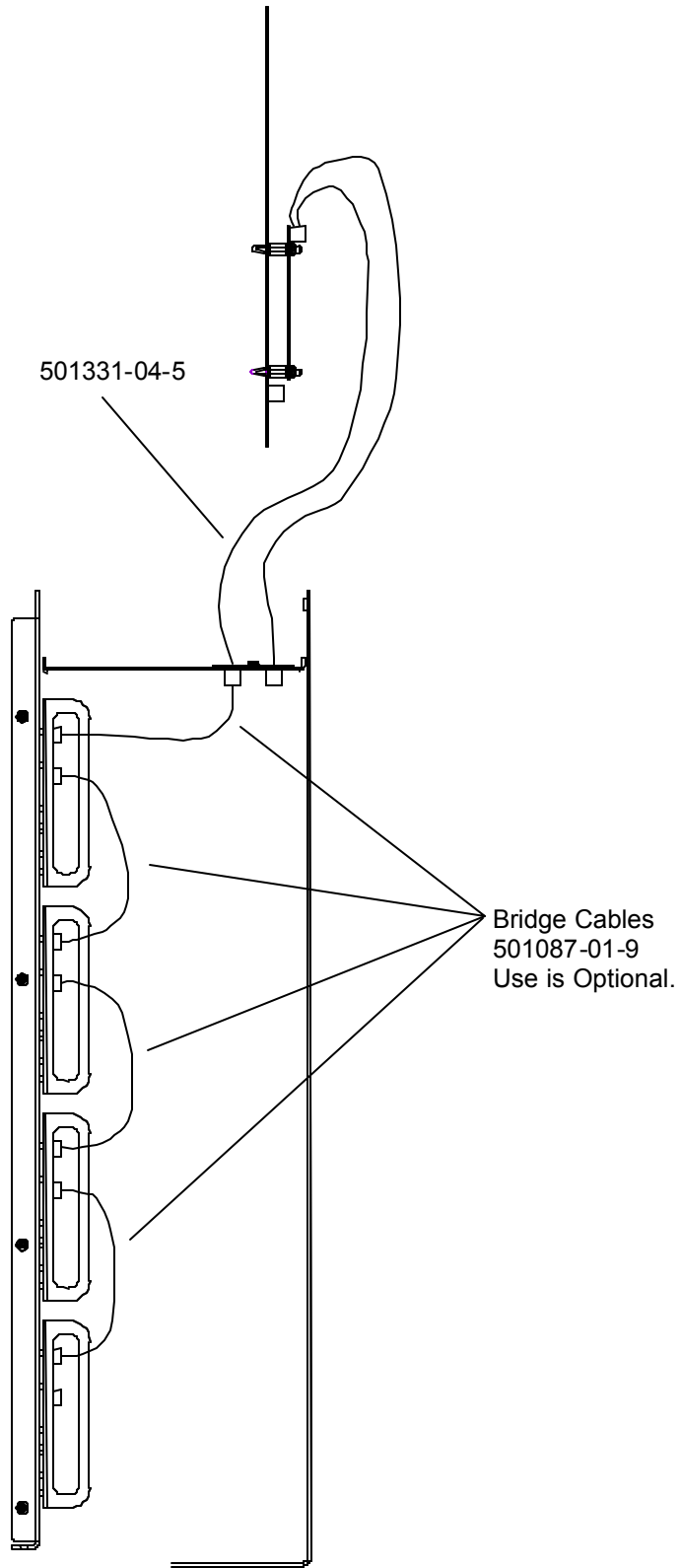
---

---

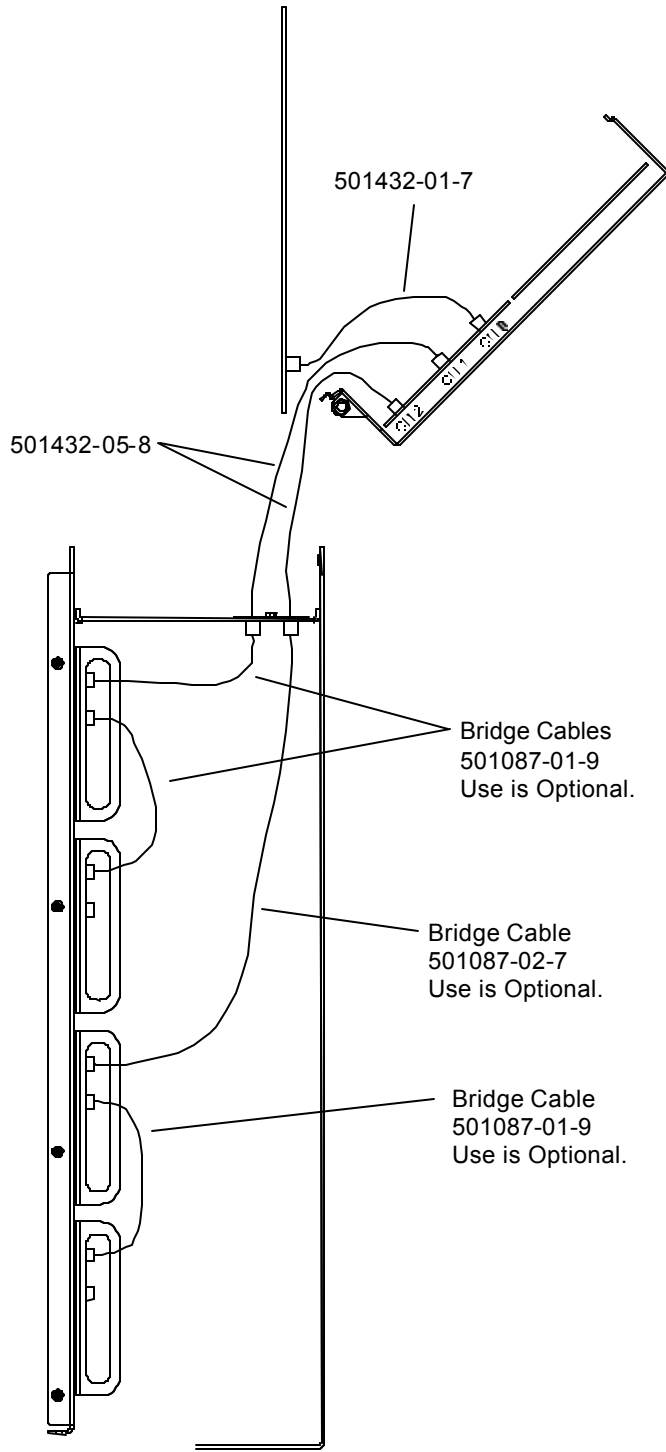
## 7. 64xx / 84xx Libraries



**TLS-64xx/84xx  
4X LVD/SE**



**TLS-64xx/84xx  
4X HVD**

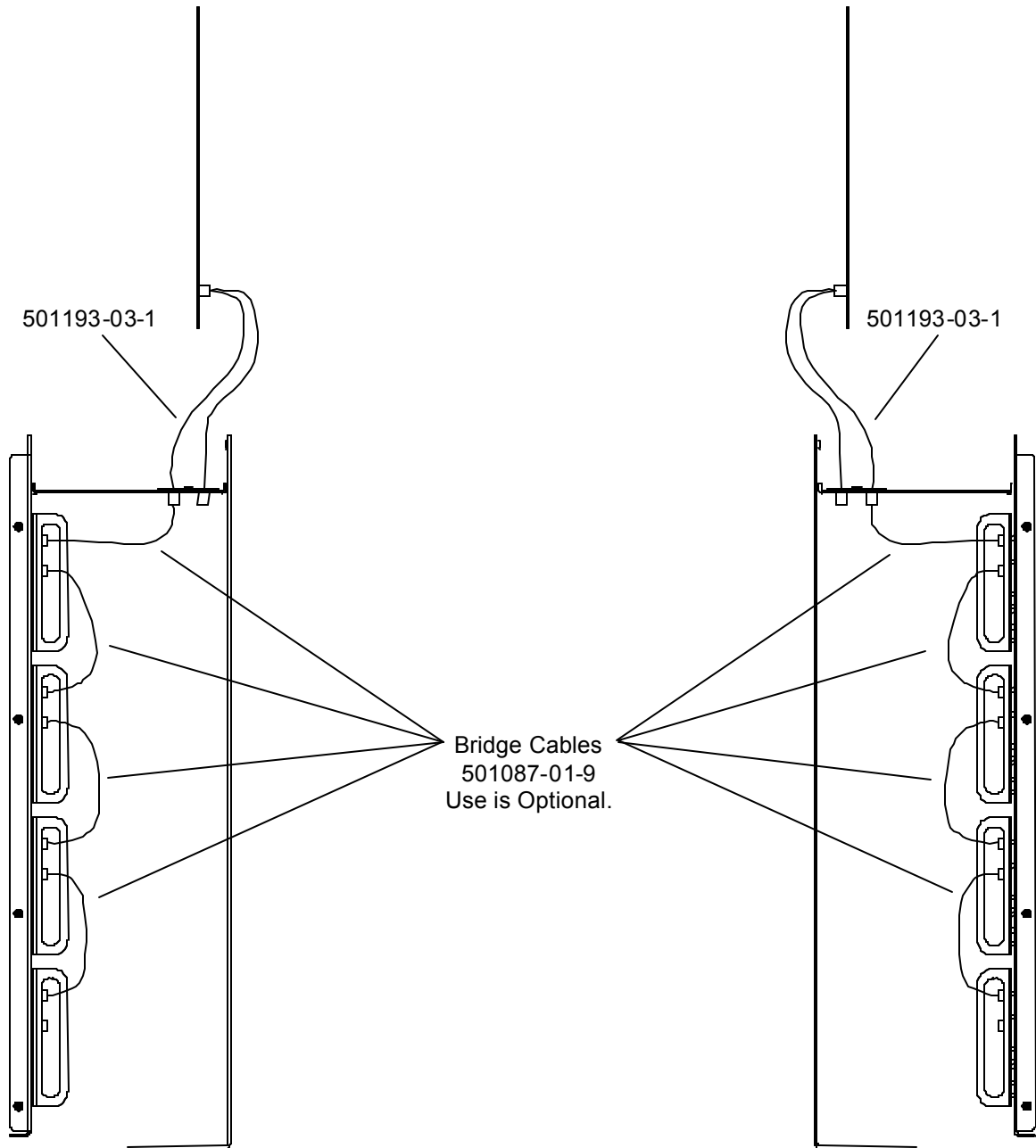


**TLS-64xx/84xx  
4X FCO  
500848-46-0**

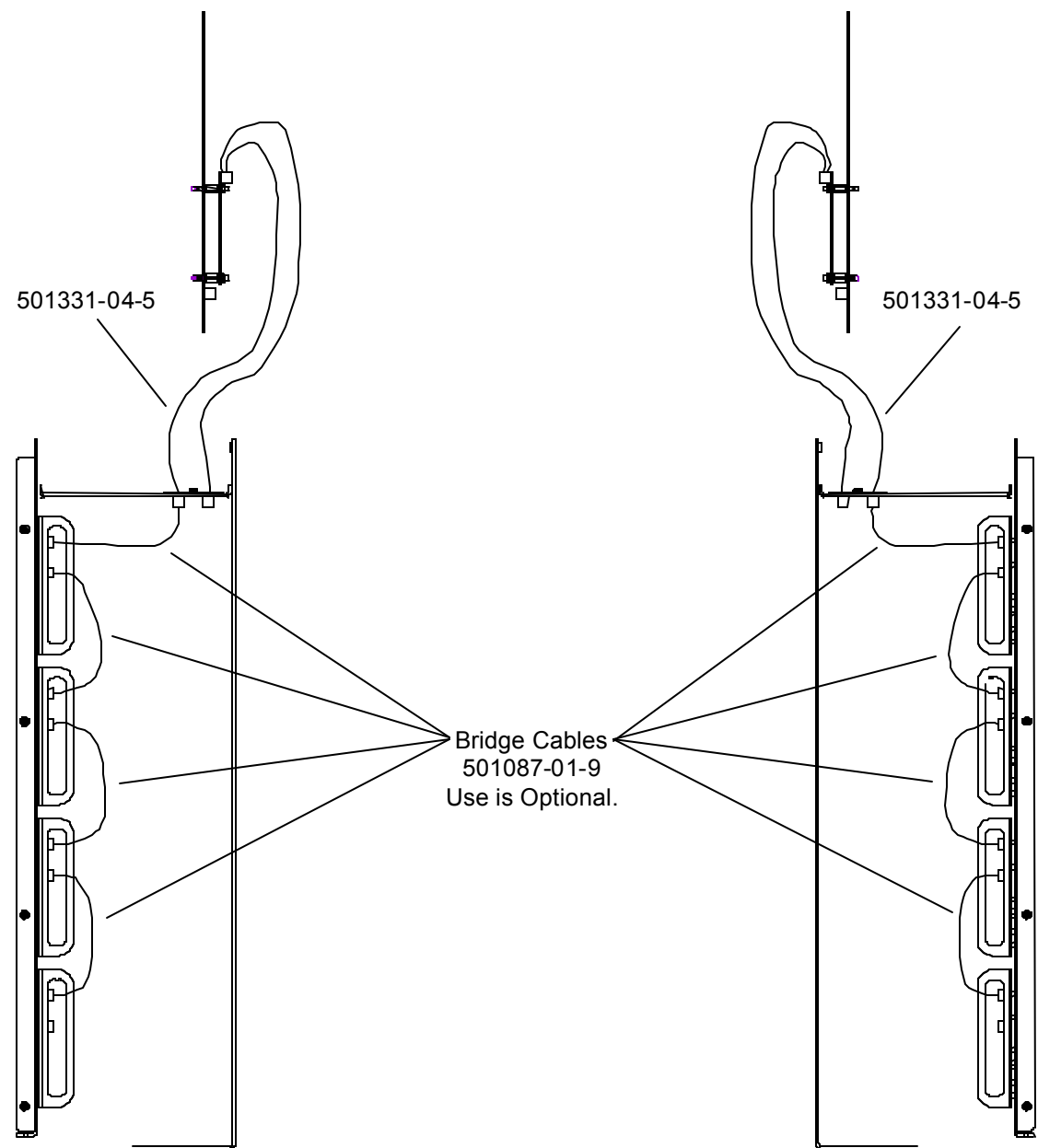
---

---

## 8. 68xxx / 88xxx Libraries

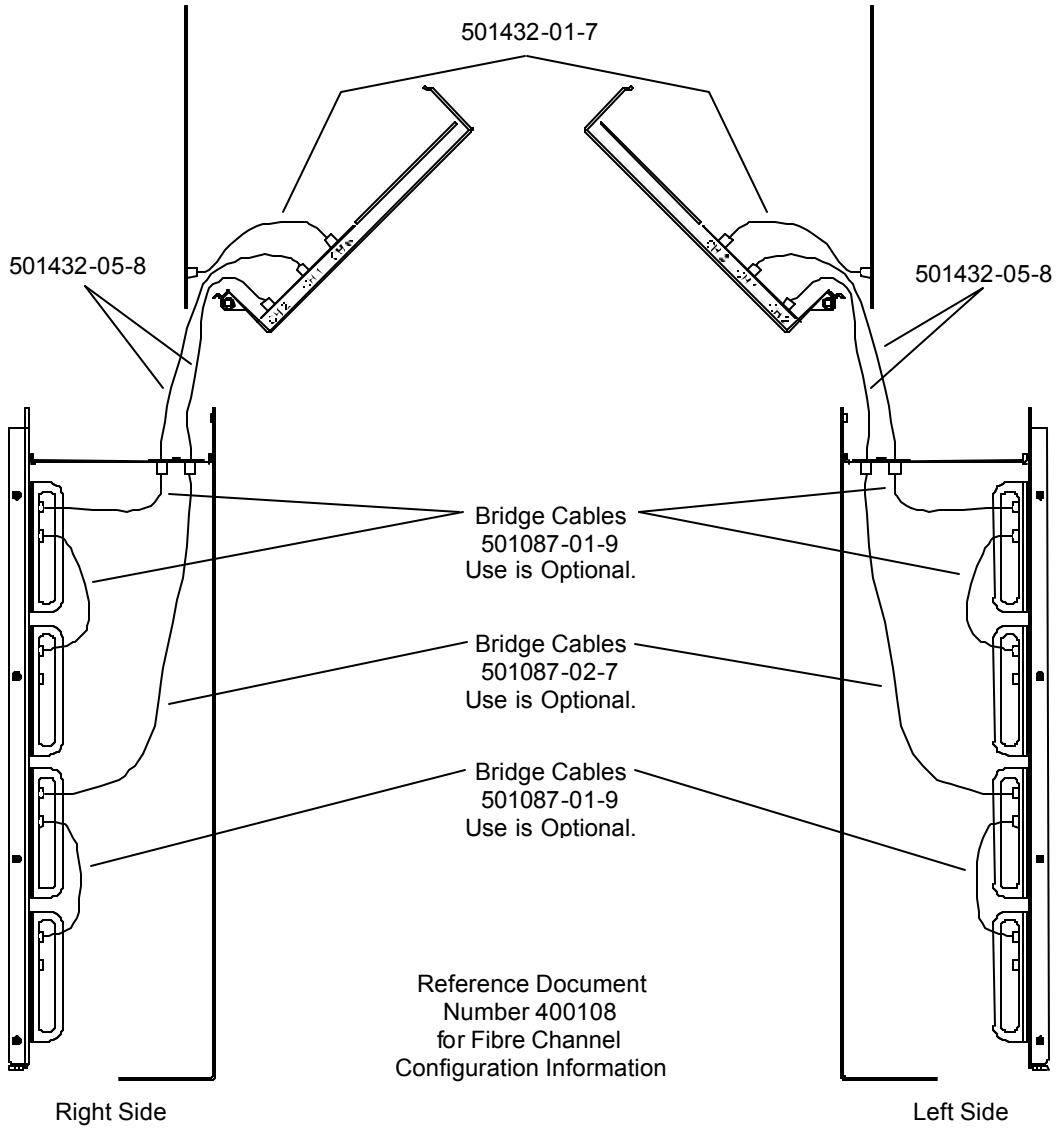


**TLS-68xxx/88xxx  
8X LVD/SE**



**TLS-68xxx/88xxx  
8X HVD**





**TLS-68xxx/88xxx**  
**8X FCO**  
**500848-47-8**